



# INSTALLATION MANUAL

## WALL MOUNTED R410A SPLIT TYPE AIR CONDITIONER



Installation Manual  
R410A Split Type Air Conditioner

English

Руководство по установке  
R410A разделить Кондиционер  
воздуха типа

Русский

### MODELS

ATYN20LV1

ATYN25LV1

ATYN35LV1

ATYN50LV1

ATYN60LV1

ARYN20LV1

ARYN25LV1

ARYN35LV1

ARYN50LV1

ARYN60LV1



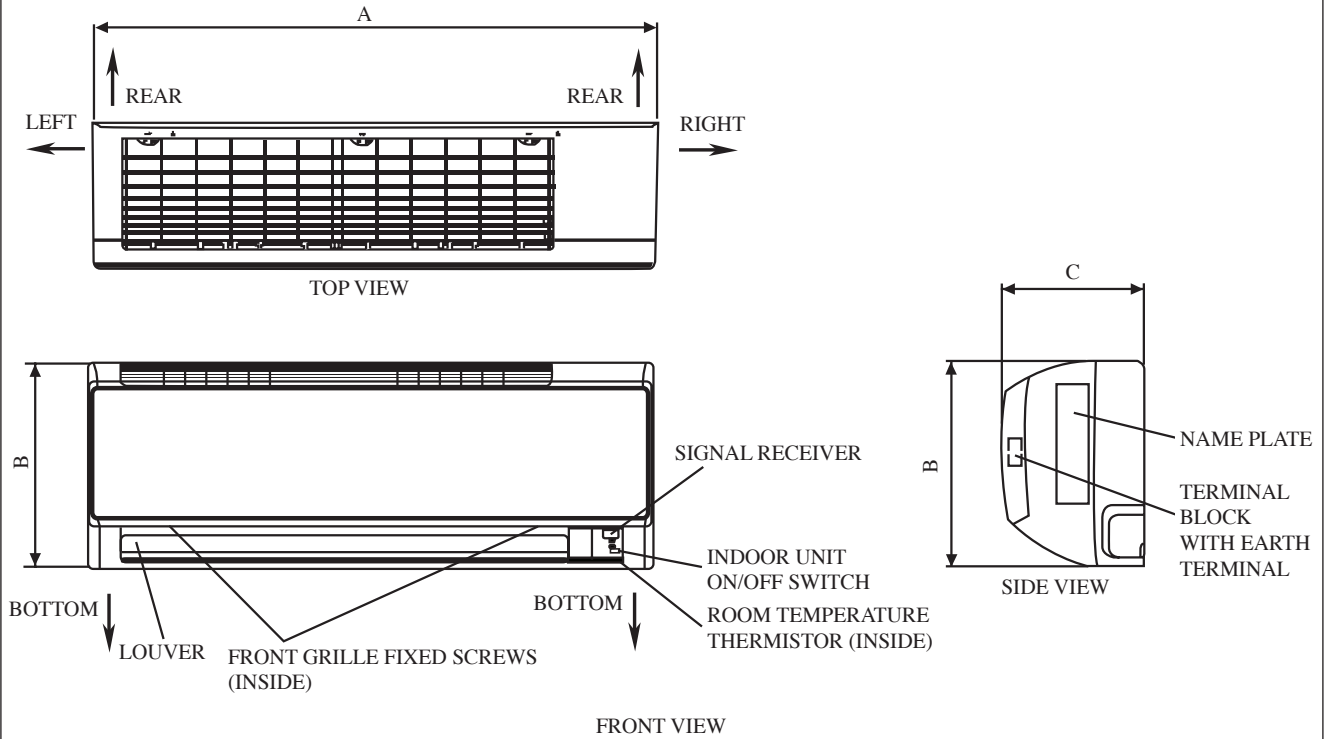
IM-5WMJR-0515(0)-DAIKIN SIESTA  
Part No.: R08019043338



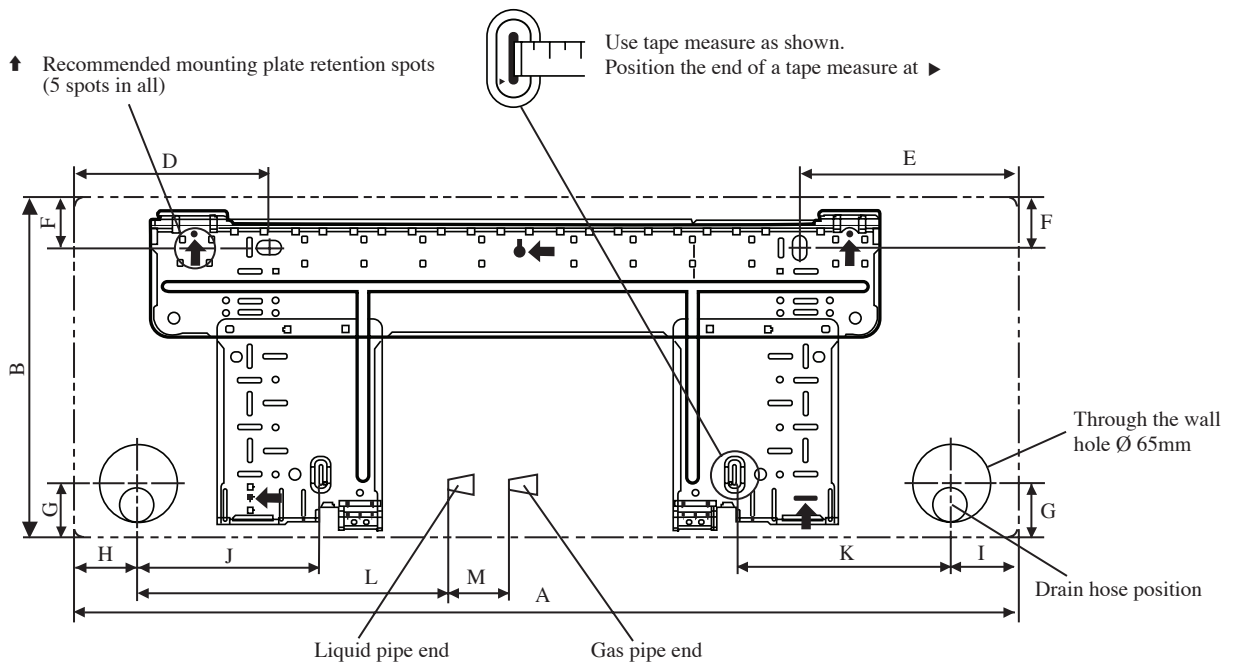
## OUTLINE AND DIMENSIONS

### Indoor Unit [ATYN]

THE MARK ( → ) SHOWS PIPING DIRECTION



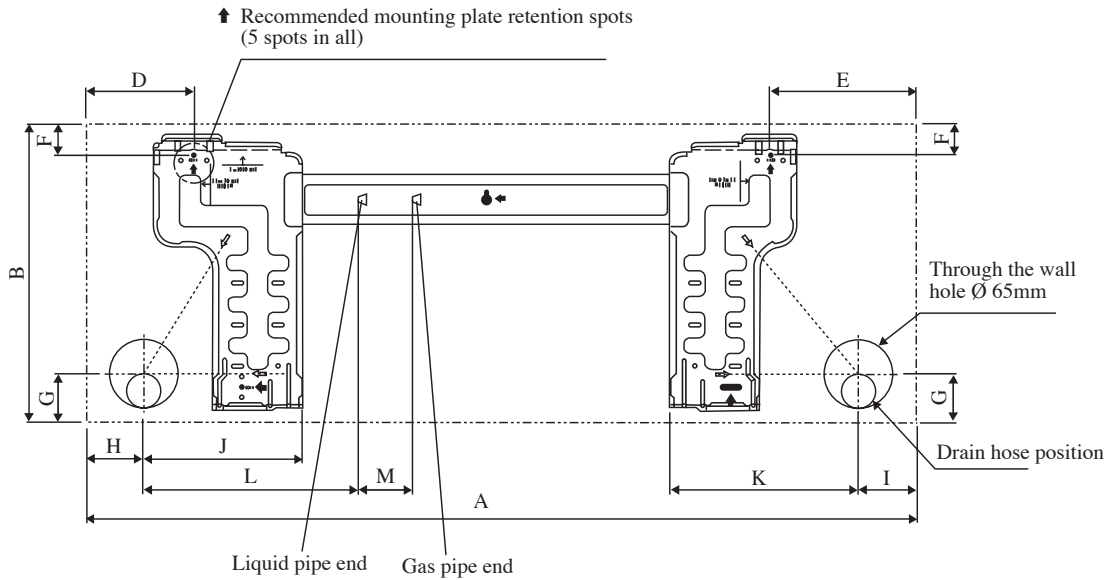
NOTE: PLEASE BASED ON ACTUAL INSTALLATION PLATE DESIGN IN THE UNIT FOR INSTALLATION PLATE 20/25/35J DIMENSION REFERENCE AT PAGE 1&2.



INSTALLATION PLATE 20/25/35J

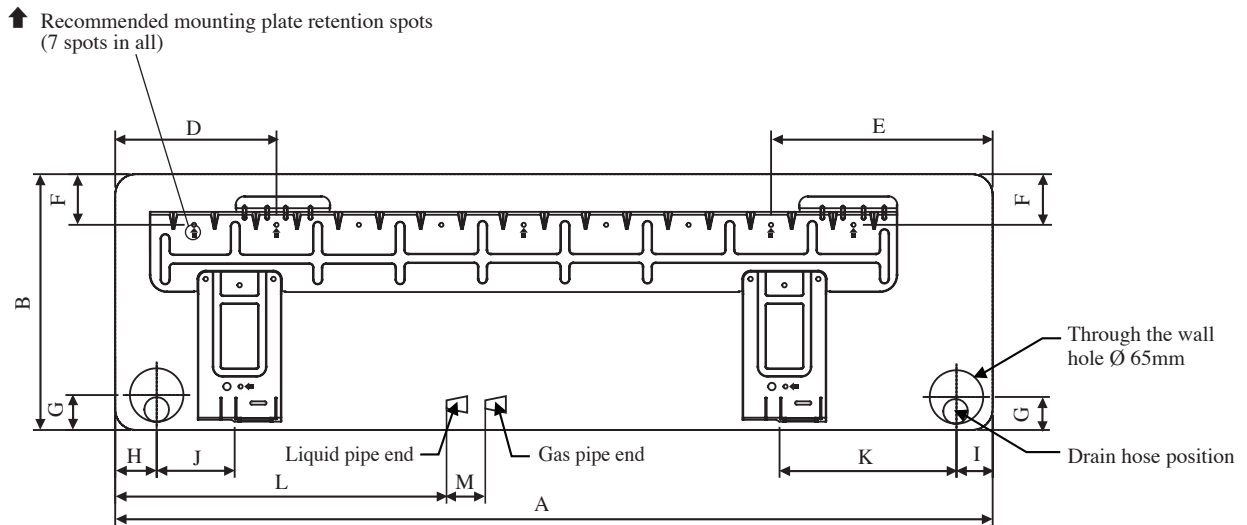
Dimension	A	B	C	D	E	F	G	H	I	J	K	L	M
<b>Model</b>													
<b>20/25/35J</b>	800	288	206	166	184	42	46	55	56	154	182	263	52

All dimensions are in mm



ALTERNATIVE INSTALLATION PLATE 20/25/35J

Dimension	A	B	C	D	E	F	G	H	I	J	K	L	M
Model 20/25/35J	800	288	206	104	141	30	46	55	56	153	181	207	52

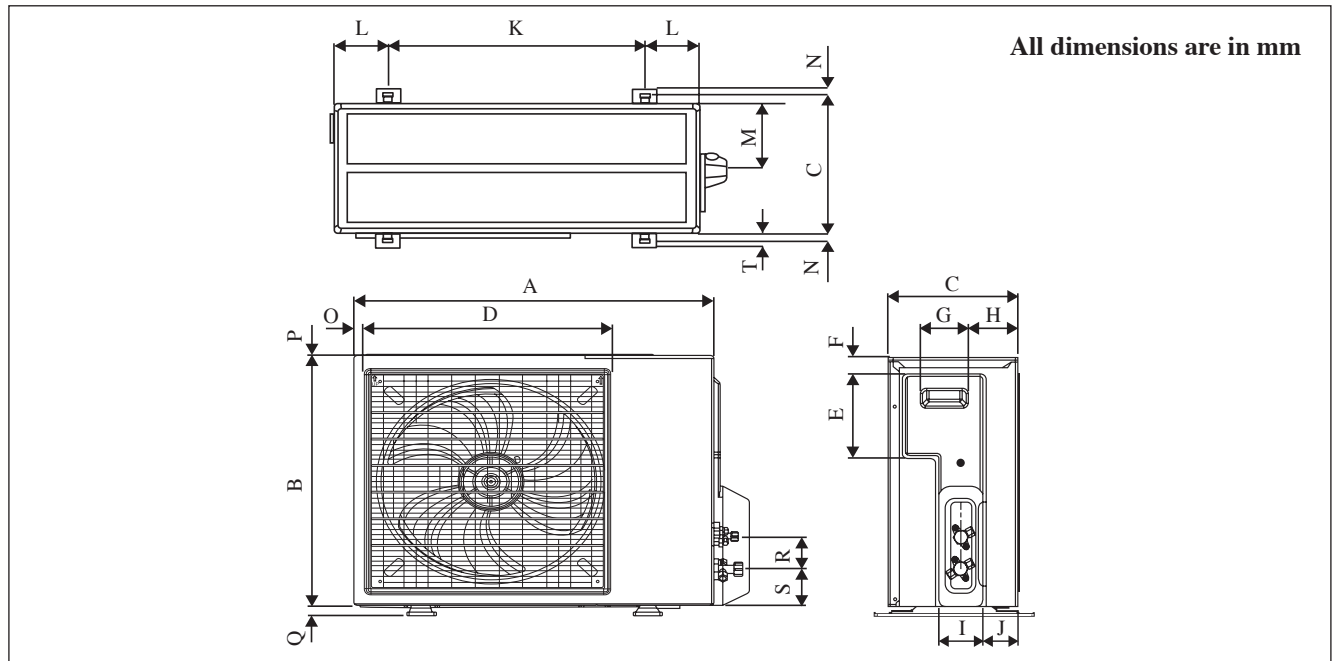


INSTALLATION PLATE 50/60J

Dimension	A	B	C	D	E	F	G	H	I	J	K	L	M
Model 50/60J	1065	310	224	190	173	61	40	45	48	91	219	580	45

All dimensions are in mm

**Outdoor Unit [ARYN]**

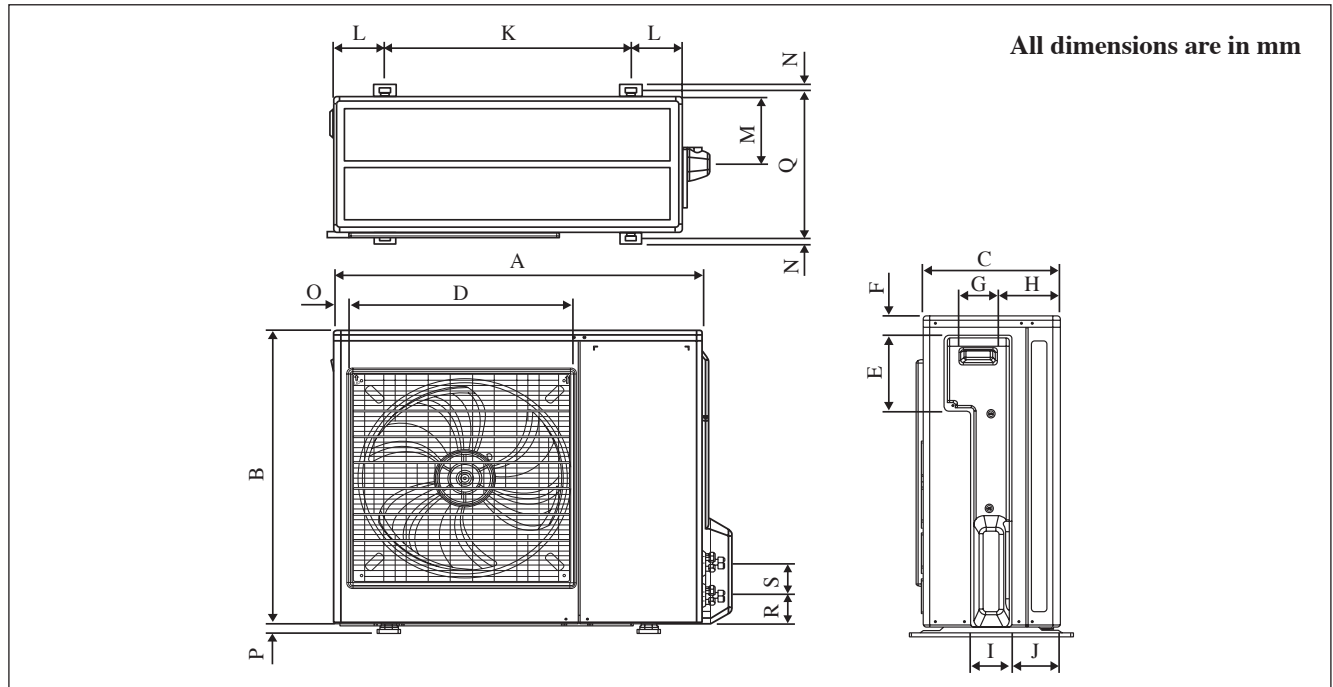


All dimensions are in mm

Model \ Dimension	A	B	C	D	E	F	G	H	I	J	K	L	M	N
20C	600	475	245	418	177	35	93	81	83	55	398	101	97	17
25/35C	700	521	250	485	175	36	95	93	86	68	441	130	111	15

Model \ Dimension	O	P	Q	R	S	T
20C	22	3	19	65	80	30
25/35C	18	3	19	65	80	30

**Outdoor Unit [ARYN]**



All dimensions are in mm

Model \ Dimension	A	B	C	D	E	F	G	H	I	J	K	L
50C	855	628	328	520	179	46	93	149	101	113	603	126
60C	855	730	328	520	179	46	93	149	101	113	603	126

Model \ Dimension	M	N	O	P	Q	R	S
50C	164	15	34	23	362	73	75
60C	164	15	34	23	362	73	75

# INSTALLATION MANUAL

This manual provides the procedures of installation to ensure a safe and good standard of operation for the air conditioner unit.

Special adjustment may be necessary to suit local requirement.

Before using your air conditioner, please read this instruction manual carefully and keep it for future reference.

This appliance is intended to be used by expert or trained users in shops, in light industry and on farms, or for commercial use by lay persons.

This appliance is not intended for use by persons, including children, with reduced physical, sensory or mental capabilities, or lack of experience and knowledge, unless they have been given supervision or instruction concerning use of the appliance by a person responsible for their safety.

Children should be supervised to ensure that they do not play with the appliance.





## SAFETY PRECAUTIONS

### **WARNING**

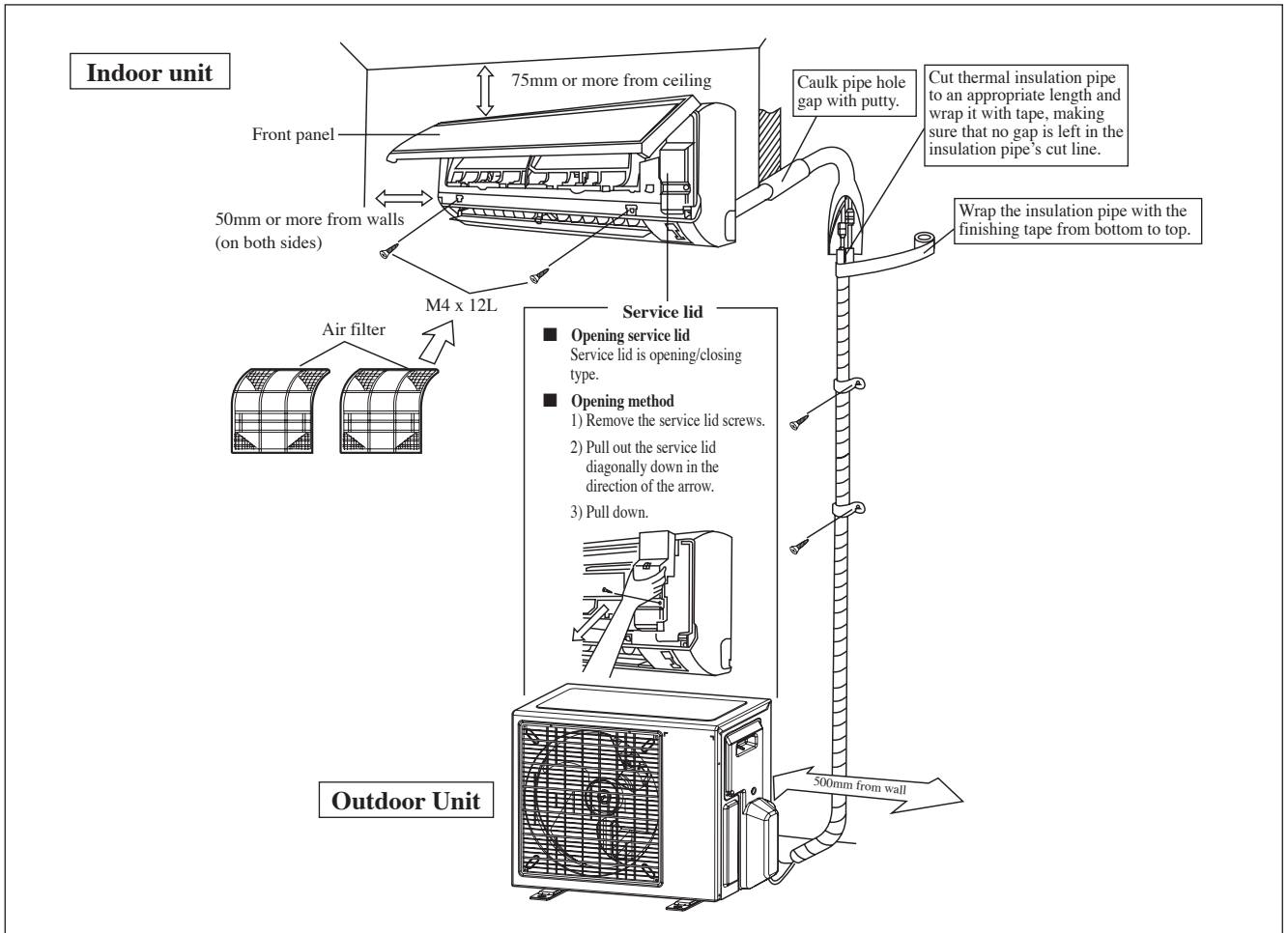
- Installation and maintenance should be performed by qualified persons who are familiar with local code and regulation, and experienced with this type of appliance.
- All field wiring must be installed in accordance with the national wiring regulation.
- Ensure that the rated voltage of the unit corresponds to that of the name plate before commencing wiring work according to the wiring diagram.
- The unit must be GROUNDED to prevent possible hazard due to insulation failure.
- All electrical wiring must not touch the water piping or any moving parts of the fan motors.
- Confirm that the unit has been switched OFF before installing or servicing the unit.
- Risk of electric shock, can cause injury or death. Disconnect all remain electric power supplies before servicing.
- DO NOT pull out the power cord when the power is ON. This may cause serious electrical shocks which may result in the fire hazards.
- Keep the indoor and outdoor units, power cable and transmission wiring, at least 1m from TVs and radios, to prevent distorted pictures and static. {Depending on the type and source of the electrical waves, static may be heard even when more than 1m away}.

### **CAUTION**

Please take note of the following important points when installing.

- **Do not install the unit where leakage of flammable gas may occur.**
  -  If gas leaks and accumulates around the unit, it may cause fire ignition.
- **Ensure that drainage piping is connected properly.**
  -  If the drainage piping is not connected properly, it may cause water leakage which will dampen the furniture.
- **Do not overcharge the unit.**
  -  This unit is factory pre-charged. Overcharge will cause over-current or damage to the compressor.
- **Ensure that the unit's panel is closed after service or installation.**
  -  Unsecured panels will cause the unit to operate noisily.
- **Sharp edges and coil surfaces are potential locations which may cause injury hazards. Avoid from being in contact with these places.**
- **Before turning off the power supply set the remote controller's ON/OFF switch to the "OFF" position to prevent the nuisance tripping of the unit.** If this is not done, the unit's fans will start turning automatically when power resumes, posing a hazard to service personnel or the user.
- **Do not install the units at or near doorway.**
- **Do not operate any heating apparatus too close to the air conditioner unit or use in room where mineral oil, oil vapour or oil steam exist, this may cause plastic part to melt or deform as a result of excessive heat or chemical reaction.**
- **When the unit is used in kitchen, keep flour away from going into suction of the unit.**
- **This unit is not suitable for factory used where cutting oil mist or iron powder exist or voltage fluctuates greatly.**
- **Do not install the units at area like hot spring or oil refinery plant where sulphide gas exists.**
- **Ensure the color of wires of the outdoor unit and the terminal markings are same to the indoors respectively.**
- **IMPORTANT : DO NOT INSTALL OR USE THE AIR CONDITIONER UNIT IN A LAUNDRY ROOM.**
- **Don't use joined and twisted wires for incoming power supply.**
- **The equipment is not intended for use in a potentially explosive atmosphere.**

# INSTALLATION DIAGRAM



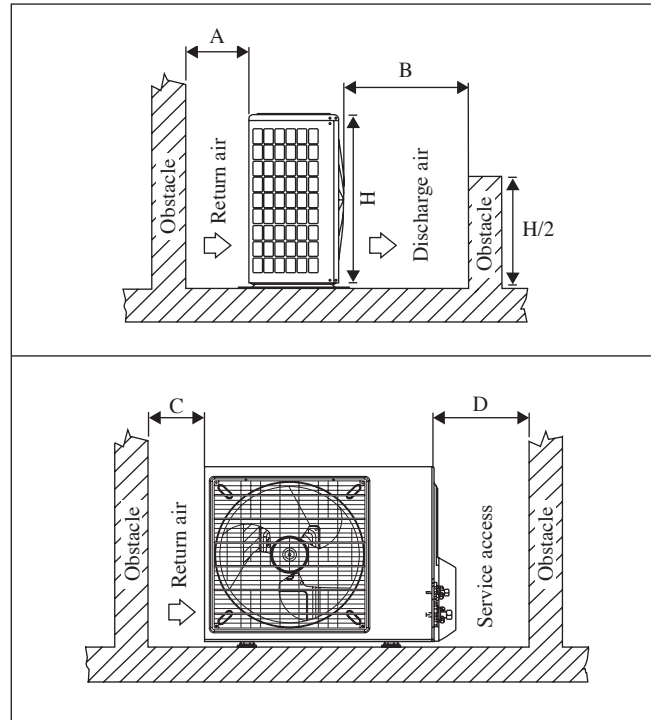
## INSTALLATION OF THE OUTDOOR UNIT

The outdoor unit must be installed in such a way, so as to prevent short circuit of the hot discharged air or obstruction to the smooth air flow. Please follow the installation clearances shown in the figure. Select the coolest possible place where intake air temperature is not greater than the outside air temperature (please refer operating range).

### Installation clearances

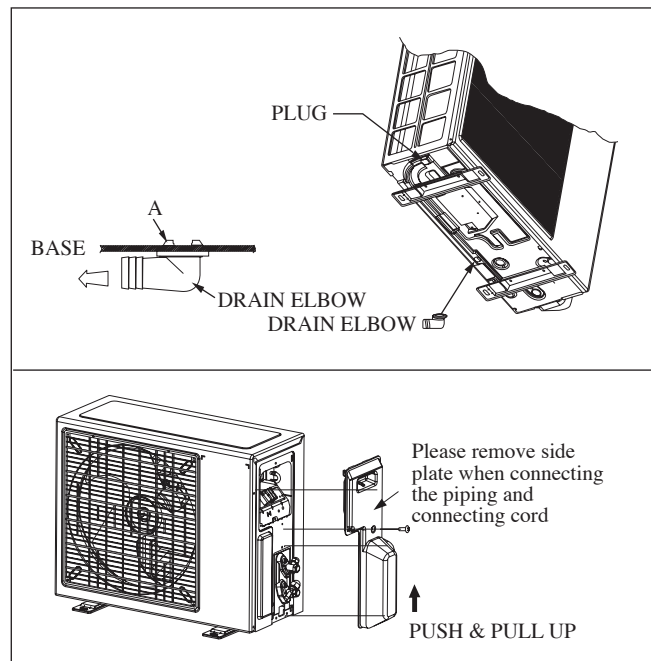
Dimension	A	B	C	D
Minimum Distance, mm	300	1000	300	500

**Note:** If there is any obstacle higher than half, of the unit's height (H), please allow more space than the figure indicated in the above table.



### Condensed Water Disposal Of Outdoor Unit (Heat Pump Unit Only)

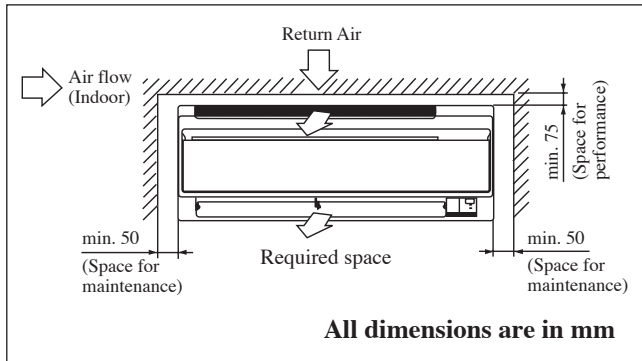
- There are 2 holes on the base of Outdoor Unit for condensed water to flow out. Insert the drain elbow to one of the holes.
- To install the drain elbow, first insert one portion of the hook to the base (portion A), then pull the drain elbow in the direction shown by the arrow while inserting the other portion to the base. After installation, check to ensure that the drain elbow clings to base firmly.
- If the unit is installed in a snowy and chilly area, condensed water may freeze in the base. In such case, please remove plug at the bottom of unit to smooth the drainage.





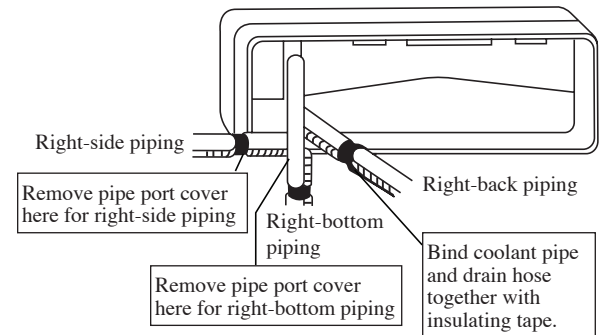
## INSTALLATION OF THE INDOOR UNIT

The indoor unit must be installed in such a way so as to prevent short circuit of the cool discharged air with the hot return air. Please follow the installation clearance shown in the figure. Do not place the indoor unit where there could be direct sunlight shining on it. Also, this location must be suitable for piping and drainage, and be away from doors or windows.

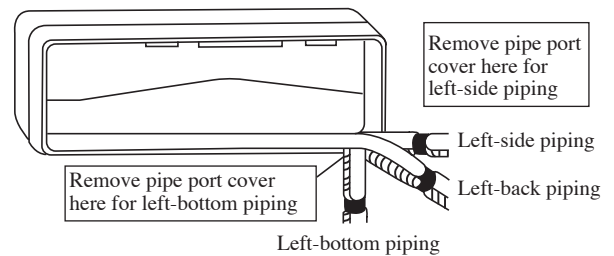


The refrigerant piping can be routed to the unit in a number of ways (left or right from the back of the unit), by using the cut-out holes on the casing of the unit (see figure). Bend the pipes carefully to the required position in order to align it with the holes. For the side and bottom out, hold the bottom of the piping and then position it to the required direction (see figure). The condensation drain hose can be taped to the pipes.

### Right-Side, Right-Back or Right-Bottom Piping



### Left-Side, Left-Back or Left-Bottom Piping



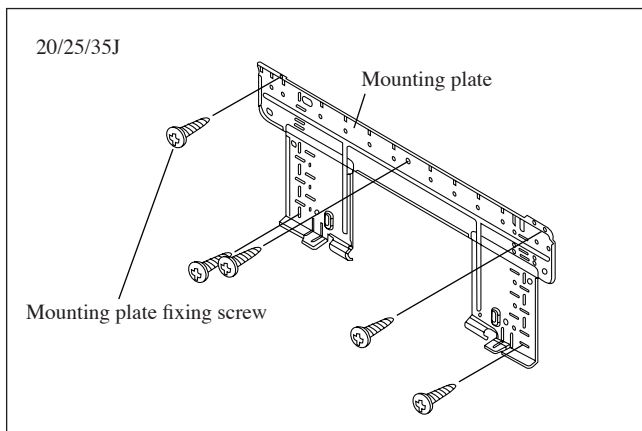
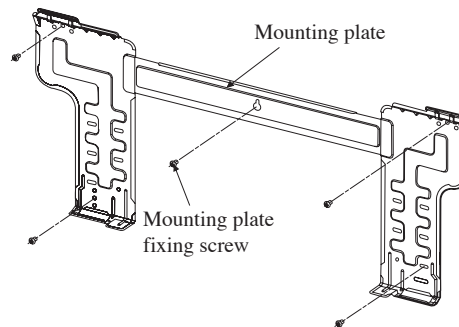
### Mounting Installation Plate

Ensure that the wall is strong enough to withstand the weight of the unit. Otherwise, it is necessary to reinforce the wall with plates, beams or pillars.

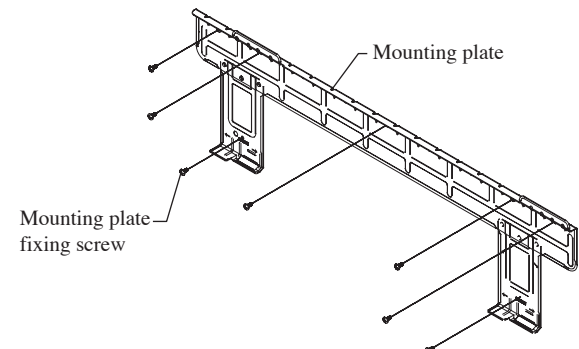
Use the level gauge for horizontal mounting, fix it with 5 suitable screws for 20/25/35J and 7 suitable screws for 50/60J.

In case the rear piping draws out, drill a hole 65mm in diameter with a cone drill, slightly lower on the outside wall (see figure).

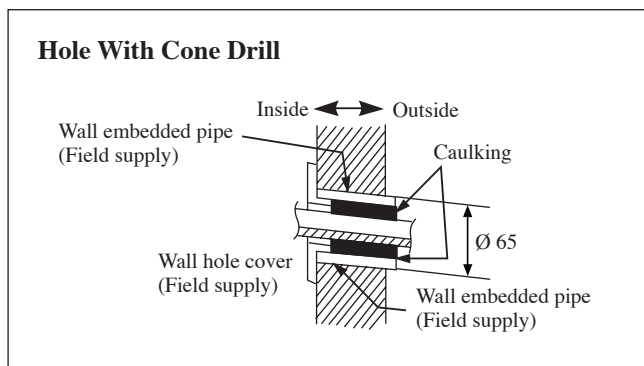
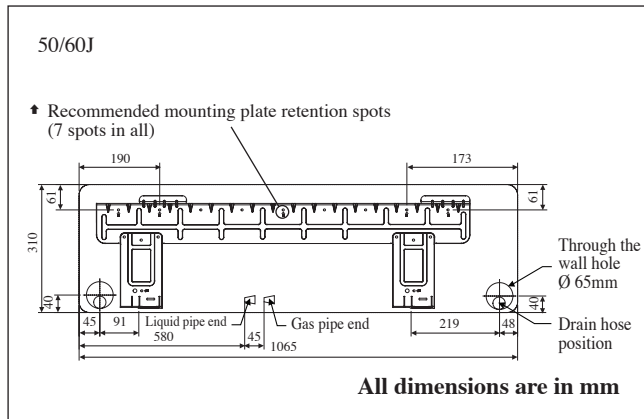
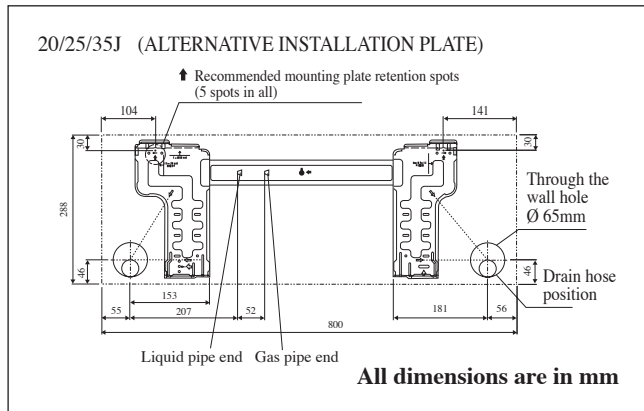
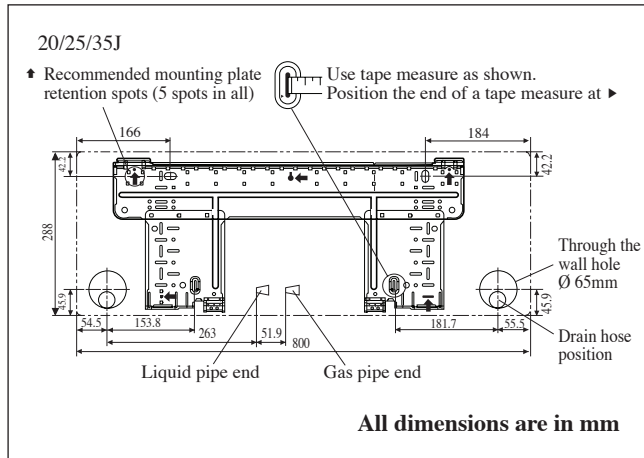
### 20/25/35J (ALTERNATIVE INSTALLATION PLATE)



### 50/60J



## Recommended Mounting Plate Retention Spots And Dimensions



## Mount The Unit Onto The Installation Plate

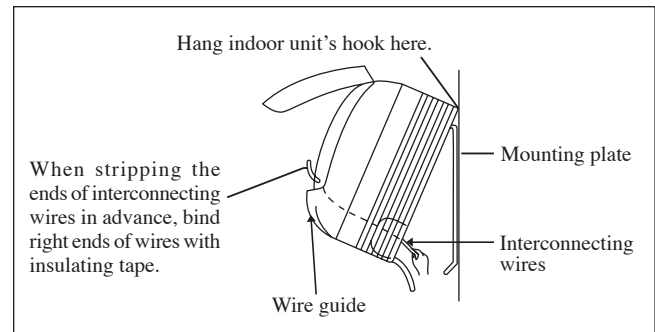
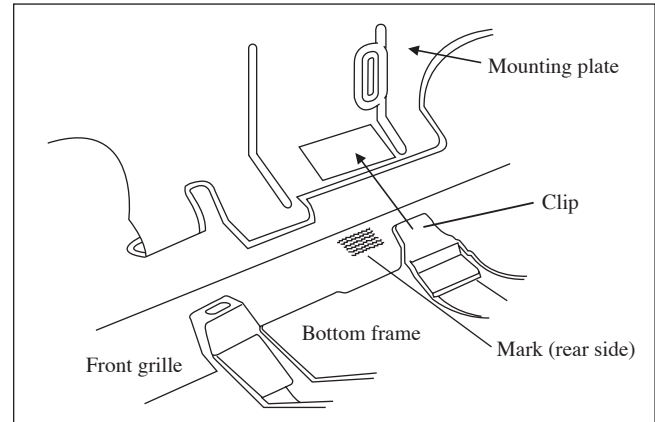
Hook the indoor unit onto the upper portion of the installation plate (Engage the two hooks at the rear top of the indoor unit with the upper edge of the installation plate). Ensure that the hooks are properly seated on the installation plate by moving it to the left and right.

### How To Attach The Indoor Unit

Hook the claws of the bottom frame to the mounting plate.

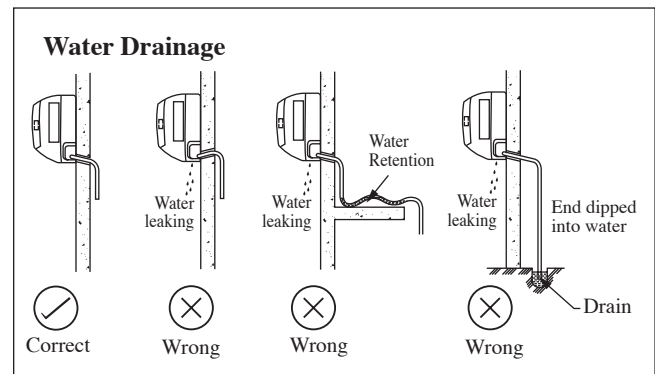
### How To Remove The Indoor Unit

Push up the marked area (at the lower part of the front grille) to release the claws.



## Water Drainage Piping

The indoor drain pipe must be in a downward gradient for smooth drainage. Avoid situations that are likely to cause water to leak.

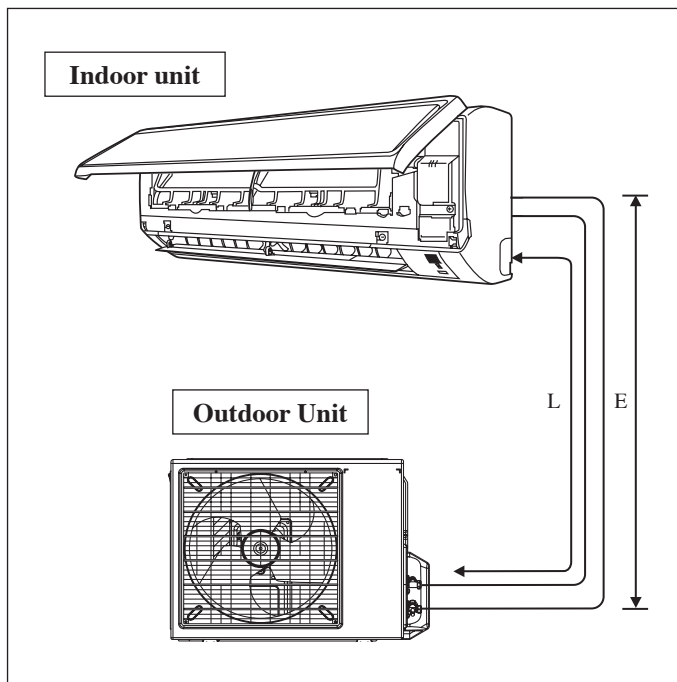


## CAUTION

- Do not install the unit at altitude over 2000m for both indoor and outdoor.

## REFRIGERANT PIPING

If the pipe is too long, both the capacity and reliability of the unit will drop. As the number of bends increases, resistance to the flow of refrigerant system increases, thus lowering cooling capacity. As a result, the compressor may become defective. Always choose the shortest path and follow the recommendations as tabulated below:





### Heat Pump Model

Model	Indoor (ATYN)	20J	25J	35J	50J	60J
	Outdoor (ARYN)	20C	25C	35C	50C	60C
Min. Allowable Length (L), m	3					
Max. Allowable Length (L), m		12	12	12	20	20
Max. Allowable Elevation (E), m		5	5	5	15	15
Gas Pipe Size, mm/(in)		9.52 (3/8")	9.52 (3/8")	12.70 (1/2")	12.70 (1/2")	15.88 (5/8")
Liquid Pipe Size, mm/(in)		6.35 (1/4")	6.35 (1/4")	6.35 (1/4")	6.35 (1/4")	6.35 (1/4")

\*Be sure to add the proper amount of additional refrigerant. Failure to do so may result in reduced performance.

**Remark:** The refrigerant pre-charged in the outdoor unit is for piping length up to 7.5m.

### Equivalent length for various fitting (meter)

Pipe Size	L joint 	Trap bend 
3/8" (OD9.52mm)	0.18	1.3
1/2" (OD12.7mm)	0.20	1.5
5/8" (OD15.9mm)	0.25	2
3/4" (OD19.1mm)	0.35	2.4
7/8" (OD22.2mm)	0.40	3
1" (OD25.4mm)	0.45	3.4
1 1/8" (OD28.6mm)	0.50	3.7
1 3/8" (OD34.9mm)	0.60	4.4

Notes:

1. Equivalent piping length is obtained with actual length of gas piping.
2. 90° bend of piping is equivalent to L joint.

Bending must be carefully made so as not to crush the pipe. Use a pipe bender to bend a pipe where possible.

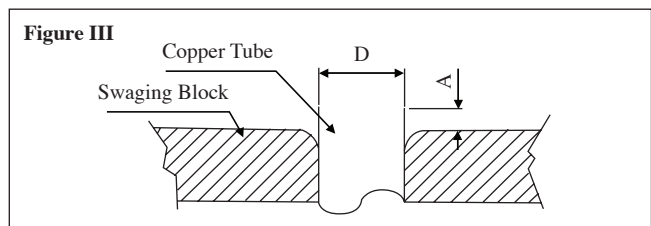
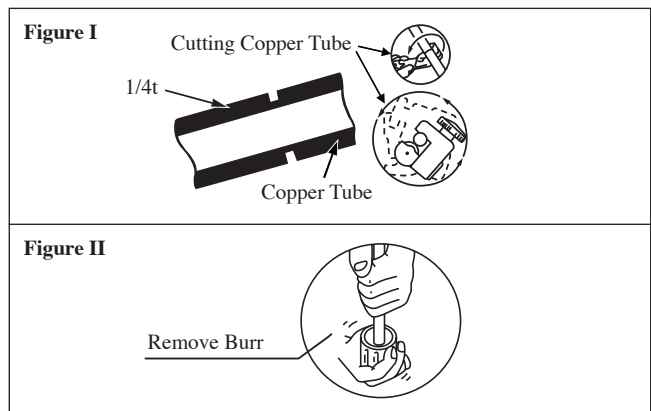
### Piping Works And Flaring Technique

- Do not use contaminated or damaged copper tubing. If any piping, evaporator or condenser had been exposed or had been opened for 15 seconds or more, the system must be vacuumed. Generally do not remove plastic, rubber plugs and brass nuts from the valves, fittings, tubing and coils until it is ready to connect suction or liquid line into valves or fittings.
- If any brazing work is required, ensure that nitrogen gas is passed through coil and joints while the brazing work is being done. This will eliminate soot formation on the inside wall of copper tubings.
- Cut the pipe stages by stages, advancing the blade of pipe cutter slowly. Extra force and a deep cut will cause more distortion of pipe and therefore extra burr. See Figure I.
- Remove burrs from cut edges of the pipes with remover. See Figure II. Hold the pipe on top position and burr remover at lower position to prevent metal chips from entering the pipe. This will avoid unevenness on the flare faces which will cause gas leak.
- Insert the flare nuts, mounted on the connection parts of both the indoor unit and outdoor unit, into the copper pipes.
- The exact length of pipe protruding from the top surface of the swaging block is determined by the flaring tool. See Figure III.
- Fix the pipe firmly on the swaging block. Match the centers of both the swaging block and the flaring punch, then tighten the flaring punch fully.

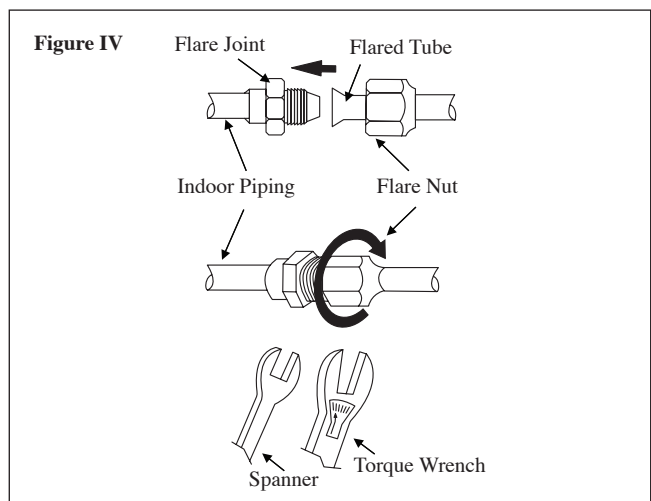
### Piping Connection To The Units

- Align the center of the piping and tighten the flare nut sufficiently with fingers. See Figure IV.
- Finally, tighten the flare nut with torque wrench until the wrench clicks.
- When tightening the flare nut with the torque wrench, ensure that the tightening direction follows the arrow indicated on the wrench.
- The refrigerant pipe connection are insulated by closed cell polyurethane.

Pipe Size (mm/in)	Torque, Nm/(ft-lb)
6.35 (1/4")	18 (13.3)
9.52 (3/8")	42 (31.0)
12.70 (1/2")	55 (40.6)
15.88 (5/8")	65 (48.0)
19.05 (3/4")	78 (57.6)



Ø Tube, D		A (mm)	
Inch	mm	Imperial (Wing-nut Type)	Rigid (Clutch Type)
1/4"	6.35	1.3	0.7
3/8"	9.52	1.6	1.0
1/2"	12.70	1.9	1.3
5/8"	15.88	2.2	1.7
3/4"	19.05	2.5	2.0

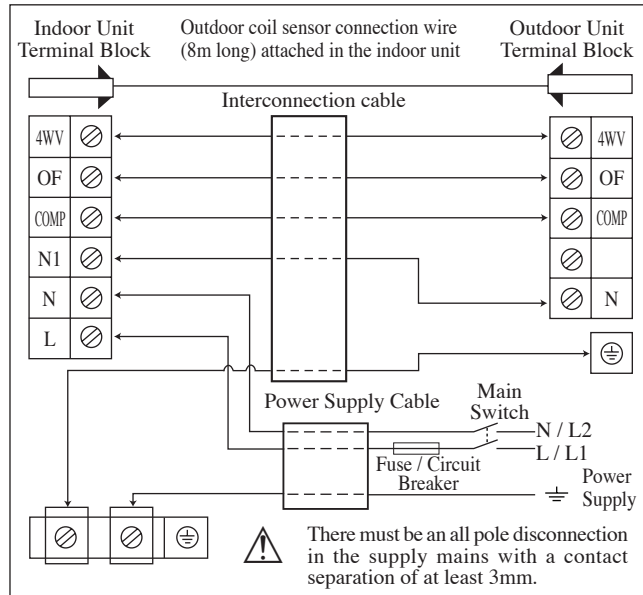


## ELECTRICAL WIRING CONNECTION

**IMPORTANT :** \* The figures shown in the table are for information purpose only. They should be checked and selected to comply with the local/national codes of regulations. This is also subject to the type of installation and conductors used.

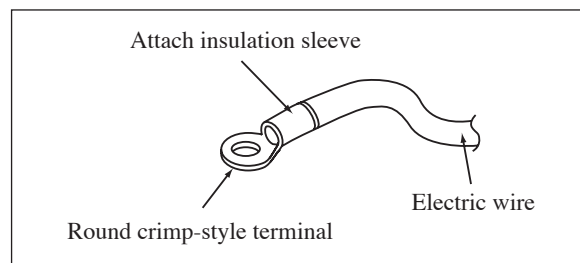
\*\* The appropriate voltage range should be checked with label data on the unit.

### Heat Pump Unit (Single Phase)

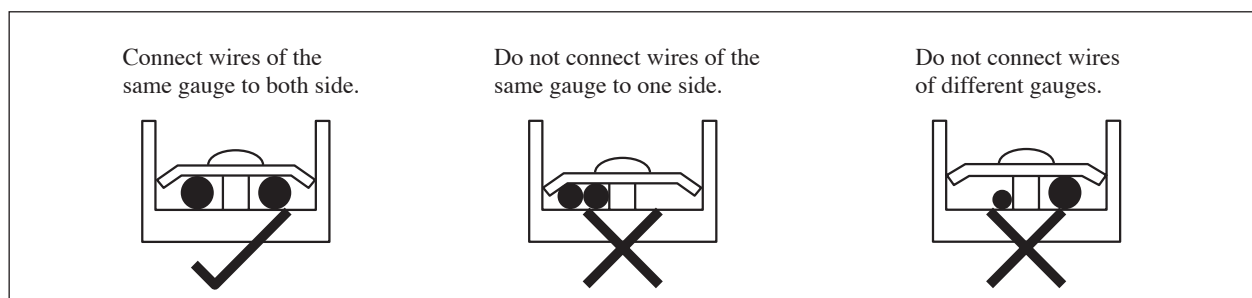


Model	Indoor (ATYN)	20J	25J	35J	50J	60J
	Outdoor (ARYN)	20C	25C	35C	50C	60C
Voltage range**	220-240V/~50Hz + ⊕					
Power supply cable size*	mm <sup>2</sup>	1.5		2.5		
Number of conductors		3		3		
Interconnection cable size*	mm <sup>2</sup>	1.5		2.5		
Number of conductors		5		5		
Recommended fuse/circuit breaker rating	A	15		20		

- All wires must be firmly connected.
- All wires must not touch the refrigerant piping, compressor or any moving parts of the fan motor.
- The connecting wires between the indoor unit and the outdoor unit must be clamped on the wire clamps.
- The power supply cord must be equivalent to H07RN-F which is the minimum requirement.
- Make sure no external pressure is applied to the terminal connectors and wires.
- Make sure all the covers are properly fixed to avoid any gap.
- Use round crimp-style terminal for connecting wires to the power supply terminal block. Connect the wires by matching to the indication on terminal block. (Refer to the wiring diagram attached on the unit).



- Used the correct screwdriver for terminal screws tightening. Unsuitable screwdrivers can damage the screw head.
- Over tightening can damage the terminal screws.
- Do not connect wire of different gauge to same terminal.
- Keep wiring in an orderly manner. Prevent the wiring from obstructing other parts and the terminal box cover.



## SPECIAL PRECAUTIONS WHEN DEALING WITH R410A UNIT

R410A is a new HFC refrigerant which does not damage the ozone layer. The working pressure of this new refrigerant is 1.6 times higher than conventional refrigerant (R22), thus proper installation/servicing is essential.

- Never use refrigerant other than R410A in an air conditioner which is designed to operate with R410A.
- POE or PVE oil is used as lubricant for R410A compressor, which is different from the mineral oil used for R22 compressor. During installation or servicing, extra precaution must be taken not to expose the R410A system too long to moist air. Residual POE or PVE oil in the piping and components can absorb moisture from the air.
- To prevent mischarging, the diameter of the service port on the flare valve is different from that of R22.

- Use tools and materials exclusively for refrigerant R410A. Tools exclusively for R410A are manifold valve, charging hose, pressure gauge, gas leak detector, flare tools, torque wrench, vacuum pump and refrigerant cylinder.
- As an R410A air conditioner incurs higher pressure than R22 units, it is essential to choose the copper pipes correctly.
- If the refrigerant gas leakage occurs during installation/servicing, be sure to ventilate fully. If the refrigerant gas comes into contact with fire, a poisonous gas may occur.
- When installing or removing an air conditioner, do not allow air or moisture to remain in the refrigerant cycle.

## VACUUMING AND CHARGING

Vacuuming is necessary to eliminate all moisture and air from the system.

### Vacuuming The Piping And The Indoor Unit

Except for the outdoor unit which is pre-charged with refrigerant, the indoor unit and the refrigerant connection pipes must be air-purged because the air containing moisture that remains in the refrigerant cycle may cause malfunction of the compressor.

- Remove the caps from the valve and the service port.
- Connect the center of the charging gauge to the vacuum pump.
- Connect the charging gauge to the service port of the 3-way valve.
- Start the vacuum pump. Evacuate for approximately 30 minutes. The evacuation time varies with different vacuum pump capacity. Confirm that the charging gauge needle has moved towards -760mmHg.

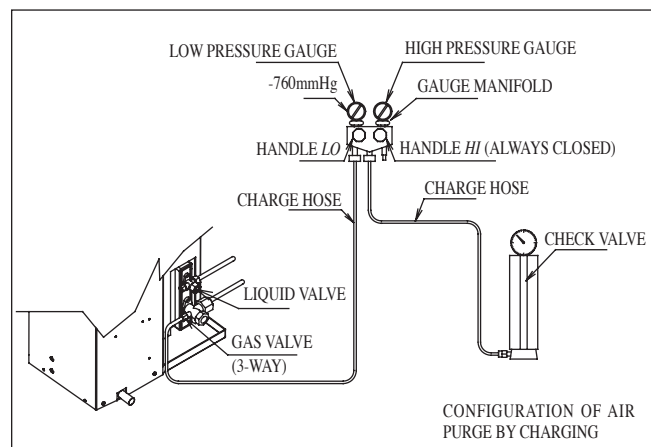
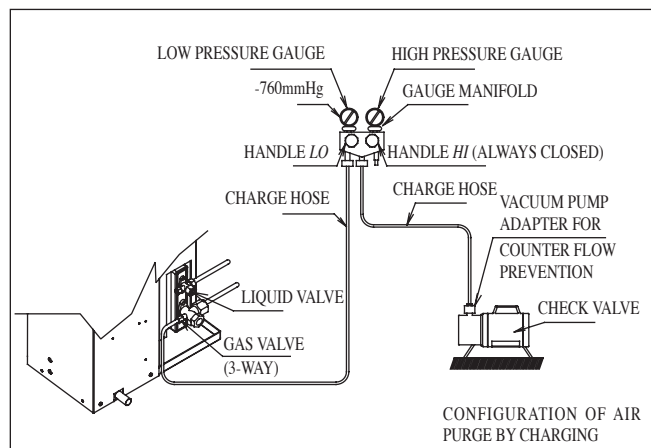
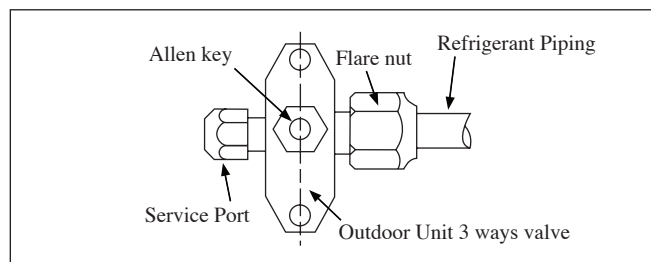
#### Caution

- If the gauge needle does not move to -760mmHg, be sure to check for leakage at flare type connection of the indoor and outdoor unit and repair the leak before proceeding to the next step.
- Close the valve of the changing gauge and stop the vacuum pump.
- On the outdoor unit, open the suction valve (3 way) and liquid valve (2 way) (in anti-clockwise direction) with 4mm key for hexagon sacked screw.

### Charge Operation

This operation must be done by using a gas cylinder and a precise weighing machine. The additional charge is topped-up into the outdoor unit using the suction valve via the service port.

- Remove the service port cap.
- Connect the low pressure side of the charging gauge to the suction service port center of the cylinder tank and close the high pressure side of the gauge. Purge the air from the service hose.
- Start the air conditioner unit.
- Open the gas cylinder and low pressure charging valve.
- When the required refrigerant quantity is pumped into the unit, close the low pressure side and the gas cylinder valve.
- Disconnect the service hose from service port. Put back the service port cap.



**ADDITIONAL CHARGE**

The refrigerant is pre-charged in the outdoor unit. If the piping length is less than 7.5m, then additional charge after vacuuming is not necessary. If the piping length is more than 7.5m, then use the additional charge value as indicated in the table.

**Additional refrigerant charge [g] per additional 1m length as tabulated (For R410A models)**

**HEAT PUMP MODEL**

Model	Indoor (ATYN)	20J	25J	35J	50J	60J
	Outdoor (ARYN)	20C	25C	35C	50C	60C
<b>Additional charge [g/m]</b>		20	16	16	19	16

**Example:**

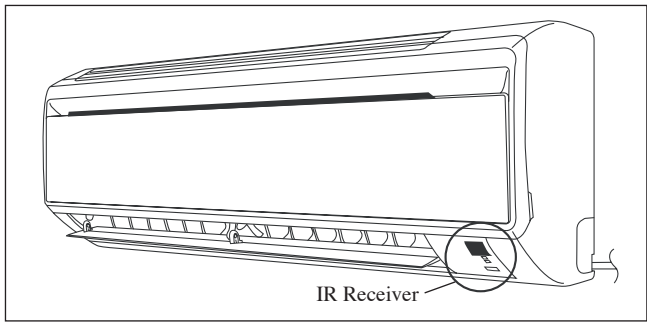
ATYN35J & ARYN35C with 12m piping length, additional piping length is 4.5m. Thus,  
 Additional charge = 4.5[m] x 9[g/m]  
 = 40.5[g]

**INDICATOR LIGHTS**

**IR Signal Receiver**

When an infrared remote control operating signal has been transmitted, the signal receiver on the indoor unit will respond as below to confirm acceptance of the signal transmission.

<b>ON to OFF</b>	1 Long Beep
<b>OFF to ON</b> <b>Pump down/Cool force on</b>	2 Short Beep
<b>Others</b>	1 Short Beep



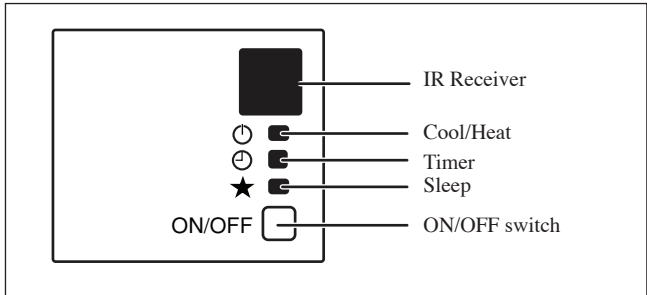
**Cooling Unit/Heat Pump Unit**

The table shows the LED indicator lights for the air conditioner unit under normal operation and fault conditions.




The LED indicator lights are located at the right bottom of the air conditioner unit.

The heat pump units are equipped with an “auto” mode sensor whereby it will provide reasonable room temperature by switching automatically to either “cool” or “heat” mode according to the temperature set by the user.

**LED Indicator Lights for Cooling Unit/Heat Pump Unit ATYN 20/25/35/50/60J**



## LED Indicator Lights: Normal Operation And Fault Conditions For Cooling/Heat Pump Unit

	 COOL/HEAT (GREEN/RED)		Normal Operation/Fault Indication	Action	Error Code
○/●	○ Green		Cool mode	-	-
○/●	○ Red		Heat mode	-	-
○/●	○ Red		Auto mode in Heating operation	-	-
○/●	○ Green		Auto mode in Cooling operation	-	-
	○	○	Timer on	-	-
○	○		Sleep mode on	-	-
	○		Fan mode on	-	-
	○		Dry mode on	-	-
	● 1 time		Room air sensor contact Loose/Short	Call your dealer	Blink E1
	● 3 times		Outdoor coil sensor open	Call your dealer	Blink E3
●	● 2 times		Indoor coil sensor open	Call your dealer	Blink E2
		● 1 time	Compressor overload/ Indoor coil sensor short/ outdoor coil sensor short	Call your dealer	Blink E4
	● Red		Defrost operation	-	-
		● 3 times	Gas leak	Call your dealer	Blink E5
		● 6 times	Hardware error (tact switch pin short)	Call your dealer	Blink E8
●	● 4 times		No feedback from indoor fan	Call your dealer	Blink E9

○ ON

○/● ON or OFF

● Blinking



## AIR CONDITIONER UNIT OPERATION

### Dry Mode

- When the air humidity is high, the unit can operate in dry mode. Press <MODE> button and choose <DRY>.
- If the room temperature is 2°C/3.6°F higher than the set temperature, the air conditioner will operate under cooling mode until it reaches within the 2°C/3.6°F range of difference compared to the set temperature before it converts to dry mode.
- If the room temperature is within the 2°C/3.6°F range of difference compared to the set temperature, it will directly operate under dry mode.
- The unit will operate at LOW speed under dry mode.

### Heat Mode (for heat pump unit only)

- When the unit is switched on from cold start or defrosting cycle, the indoor fan will start to operate only after the coil reaches the desired temperature.
- When the set temperature is achieved, the indoor fan will operate until the coil cannot provide anymore additional heat.

### Air Flow Control

- For more effective air circulation, you can manually adjust the air discharge grille to the left or right.
- During cool mode operation and dry mode operation, do not direct the air discharge louver downwards for too long. If operating continues in this way, condensation may occur on the louver, thus resulting in drippings.

### Overheating Protection (for heat pump unit only)

- In case the internal and/or the external temperature is too high, or that the filter is dirty and clogged up, the refrigerant may be overheated. The compressor will cut out when the condensing temperature reaches 62°C/143.6°F.

### Frost Prevention

- When the air filter is dirty, the evaporating temperature will decrease and eventually cause frosting.
- If the evaporating temperature reaches -1°C/33.8°F, the unit will trip.

### Fan Speed And Rated Cooling Capacity

- The rated cooling capacity is provided at the HIGH fan speed.
- The cooling capacity is lower when the unit is operating at MEDIUM and LOW fan speed.

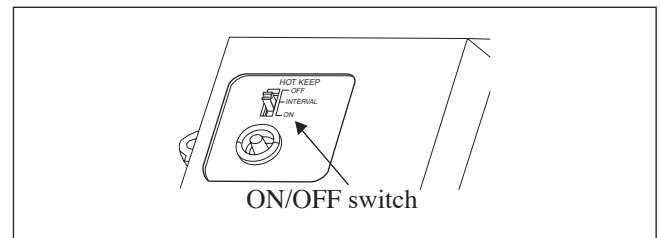
### Notes On Flaps And Louvers Angles

- When “SWING button” is selected, the flaps swinging range depends on the operation mode. (See the figure.)

### ATTENTION

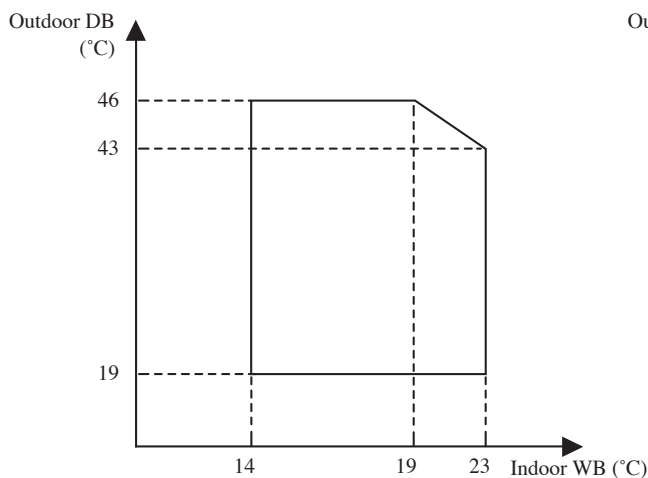
- Always use a remote controller to adjust the flaps angle. If you attempt to move it forcibly with hand when it is swinging, the mechanism may be broken.
- Be careful when adjusting the louvers. Inside the air outlet, a fan is rotating at a high speed.

NOTE : When the option is selected, the power supply of the unit need to be reset in order to activate the function.

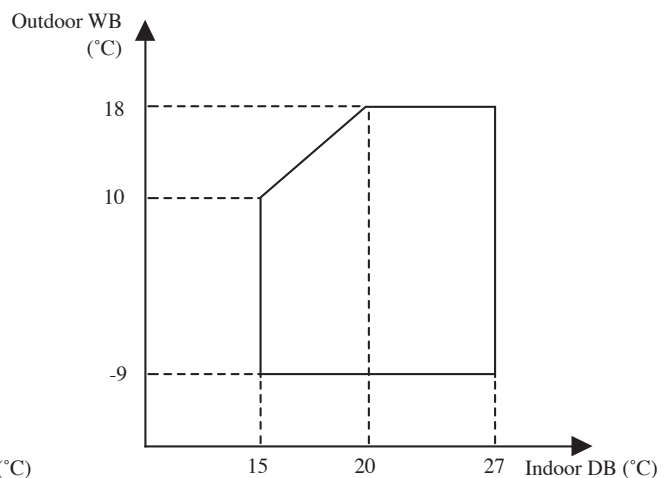


## OPERATING RANGE

COOLING



HEATING

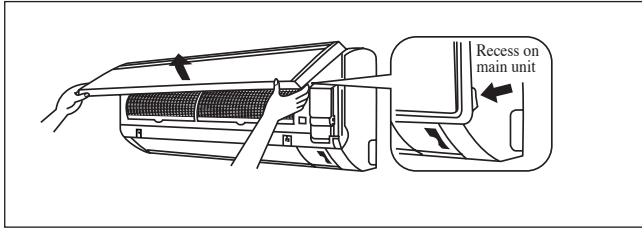


DB: Dry bulb  
WB: Wet bulb

## AIR FILTER

### 1. Open the front panel.

- Hold the panel at the recesses on the main unit (2 recesses on right and left sides) and lift it until it stops.



### 2. Pull out the air filters.

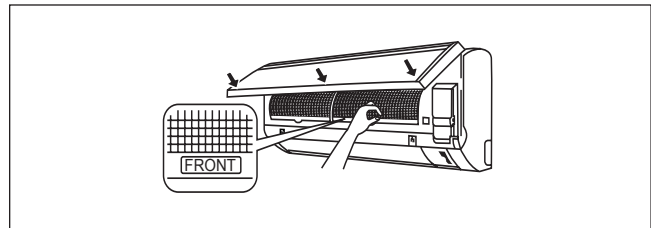
- Push a little upwards the tab at the center of each air filter, then pull it down.

### 3. Clean or replace each filter.

- When shaking off remaining water, do not wring the filter.

### 4. Set the air filter as they were and close the front panel.

- Insert claws of the filters into slots of the front panel. Close the front panel slowly and push the panel at the 3 points. (1 on each side and 1 in the middle.)
- The air filter have a symmetrical form in the horizontal direction.



## SERVICE AND MAINTENANCE

Service Parts	Maintenance Procedures	Period
<b>Indoor air filter</b>	<ol style="list-style-type: none"> <li>1. Remove any dust adhering to the filter by using a vacuum cleaner or wash in lukewarm water (below 40°C/104°F) with a neutral cleaning detergent.</li> <li>2. Rinse the filter well and dry before placing it back onto the unit.</li> <li>3. Do not use gasoline, volatile substances or chemicals to clean the filter.</li> </ol>	At least once every 2 weeks. More frequently if necessary.
<b>Indoor unit</b>	<ol style="list-style-type: none"> <li>1. Clean any dirt or dust on the grille or panel by wiping it with a soft cloth soaked in lukewarm water (below 40°C/104°F) and a neutral detergent solution.</li> <li>2. Do not use gasoline, volatile substances or chemicals to clean the indoor unit.</li> </ol>	At least once every 2 weeks. More frequently if necessary.

### ⚠ CAUTION

- Avoid direct contact of any coil treatment cleaners on plastic part. This may cause plastic part to deform as a result of chemical reaction.

### 1. Open the front panel.

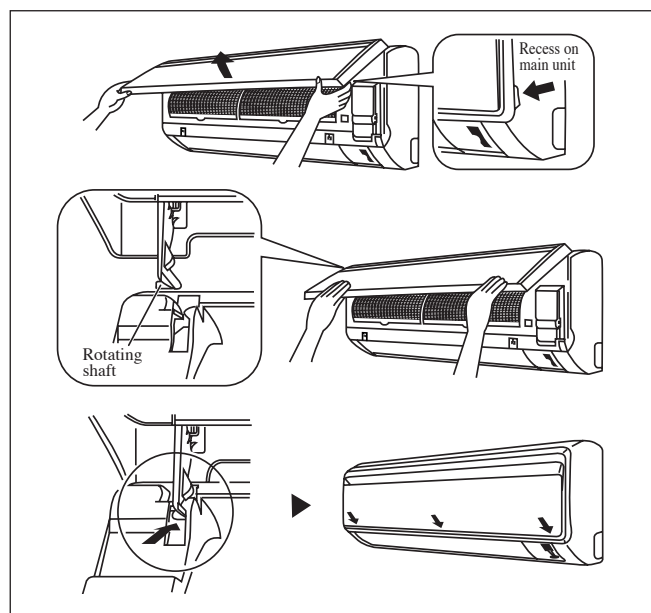
- Hold the panel at the recesses on the main unit (2 recesses on right and left sides) and lift it until it stops.

### 2. Remove the front panel.

- While lifting the front panel further, slide it to the right and pull it to the front side. The left rotating shaft is detached. Slide the right rotating shaft to the left and pull it to the front side to remove it.

### 3. Attach the front panel.

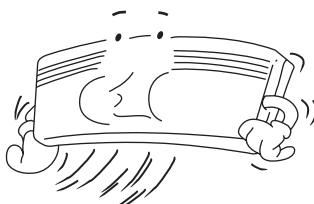
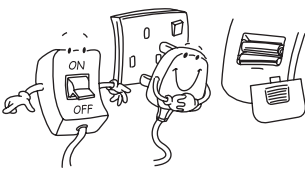
- Align the right and left rotating shafts of the front panel with the grooves and push them all the way in.
- Gently close the front panel. (Push both ends and the center on the front panel.)



## ⚠ CAUTION

- Don't touch the metal parts of the indoor unit. It may cause an injury.
- When removing or attaching the front panel, support the panel securely with hand to prevent it from falling.
- For cleansing, do not use hot water above 40°C, benzine, gasoline, thinner, nor other volatile oils, polishing compound, scrubbing brushes, nor other hand stuff.
- After cleaning, make sure that the front panel is securely fixed.

### When The Unit Is Not To Be Used For An Extended Long Period Of Time

<p>Operate the unit for 2 hours with the following setting.</p> <p>Operating mode : cool Temperature : 30°C/86°F</p>		<p>Remove the power plug. If you are using an independent electric circuit for your unit, cut off the circuit. Remove the batteries in the remote control.</p>	
--	---	--	---

## TROUBLESHOOTING

**For any enquiries on spare part, please contact your authorized dealer. When any malfunction of the air conditioner unit is noted, immediately switch off the power supply to the unit. Check the following fault conditions and causes for some simple troubleshooting tips.**

Fault	Causes / Action
1. The compressor does not operate 3 minutes after the air conditioner unit is started.	– Protection against frequent starting. Wait for 3 to 4 minutes for the compressor to start operating.
2. The air conditioner unit does not operate.	<ul style="list-style-type: none"> <li>– Power failure, or the fuse needs to be replaced.</li> <li>– The power plug is disconnected.</li> <li>– It is possible that your delay timer has been set incorrectly.</li> <li>– If the fault persist after all these verifications, please contact the air conditioner unit installer.</li> </ul>
3. The air flow is too low.	<ul style="list-style-type: none"> <li>– The air filter is dirty.</li> <li>– The doors or windows are open.</li> <li>– The air suction and discharge are clogged.</li> <li>– The regulated temperature is not high enough.</li> </ul>
4. Discharge air flow has bad odour.	– Odours may be caused by cigarettes, smoke particles, perfume etc. which might have adhered onto the coil.
5. Condensation on the front air grille of the indoor unit.	<ul style="list-style-type: none"> <li>– This is caused by air humidity after an extended long period of operation.</li> <li>– The set temperature is too low, increase the temperature setting and operate the unit at high fan speed.</li> </ul>
6. Water flowing out from the air conditioner unit.	– Switch off unit and call dealer.

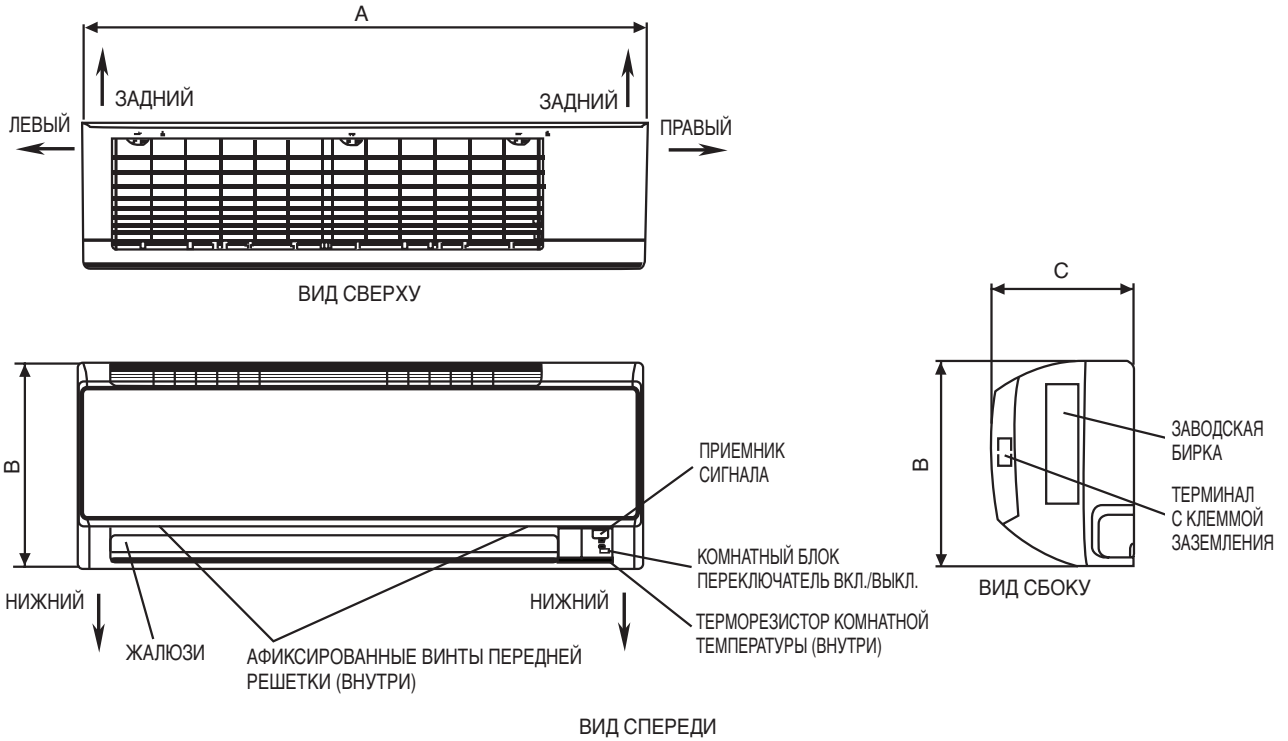
**If the fault persists, please call your local dealer / serviceman.**

**MEMO**

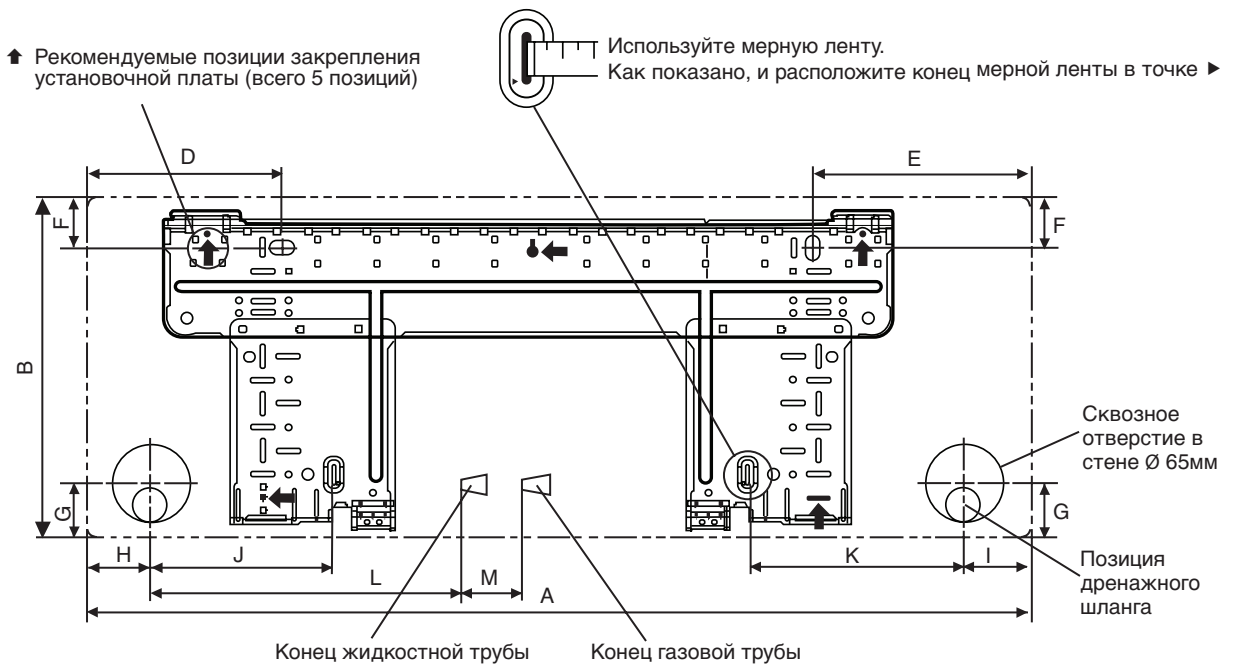
## СХЕМА И РАЗМЕРЫ

### Комнатного блок [АТУН]

ЗНАК ( → ) ПОКАЗЫВАЕТ НАПРАВЛЕНИЕ ТРУБОПРОВОДА

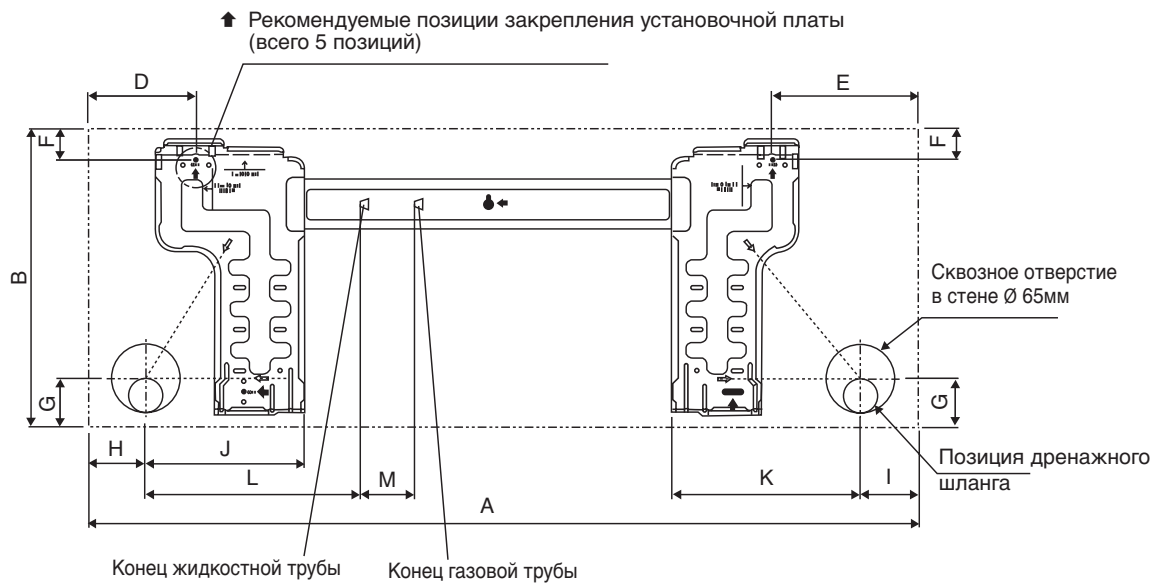


**ПРИМЕЧАНИЕ:** обратите внимание на основе фактической установки конструкция плиты в устройстве для установки пластины 20/25/35J размер ссылка на страницу 1 &2.



Модель	Размер												
	A	B	C	D	E	F	G	H	I	J	K	L	M
20/25/35J	800	288	206	166	184	42	46	55	56	154	182	263	52

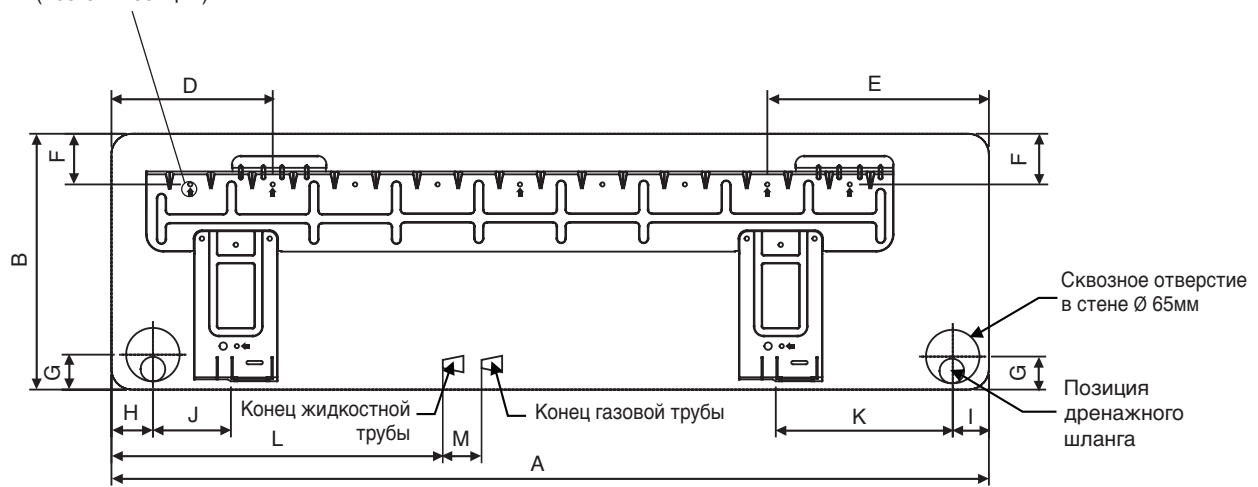
Все размеры указаны в мм



АЛЬТЕРНАТИВНЫЙ ВАРИАНТ УСТАНОВКИ ПЛАСТИНА 20/25/35J

Размер	A	B	C	D	E	F	G	H	I	J	K	L	M
20/25/35J	800	288	206	104	141	30	46	55	56	153	181	207	52

↑ Рекомендуемые позиции закрепления установочной платы (всего 7 позиций)

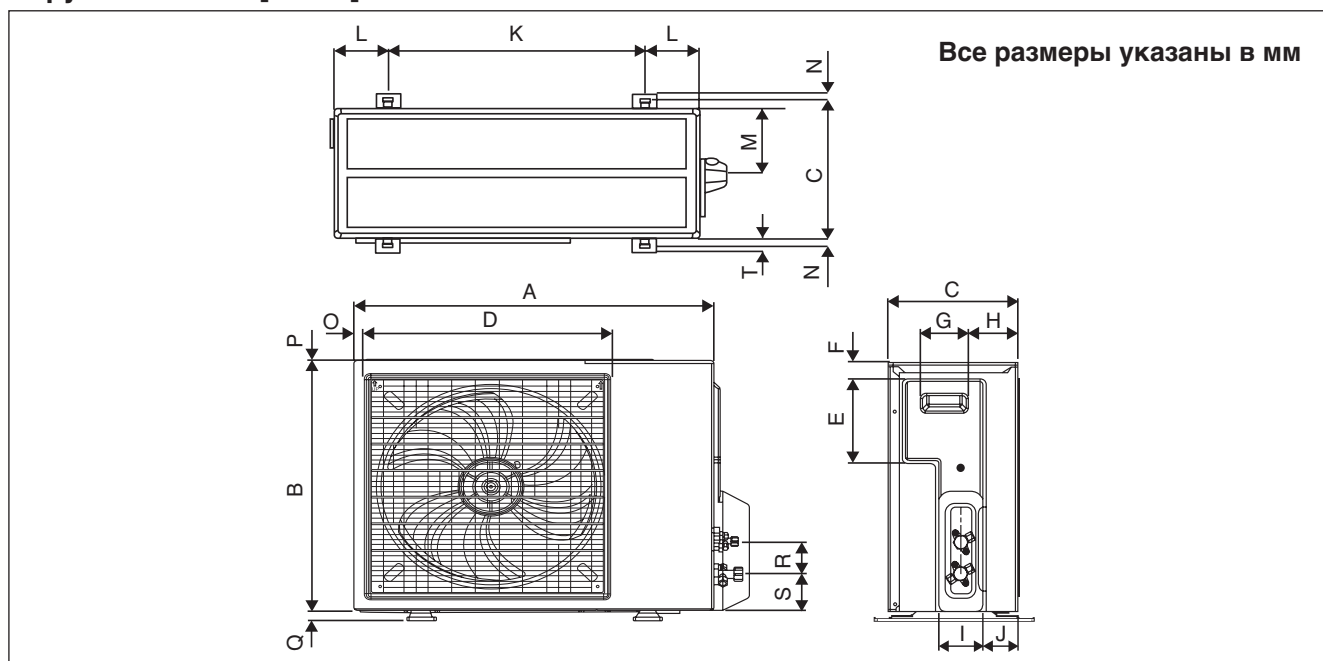


МОНТАЖНАЯ ПЛИТА 50/60J

Размер	A	B	C	D	E	F	G	H	I	J	K	L	M
50/60J	1065	310	224	190	173	61	40	45	48	91	219	580	45

Все размеры указаны в мм

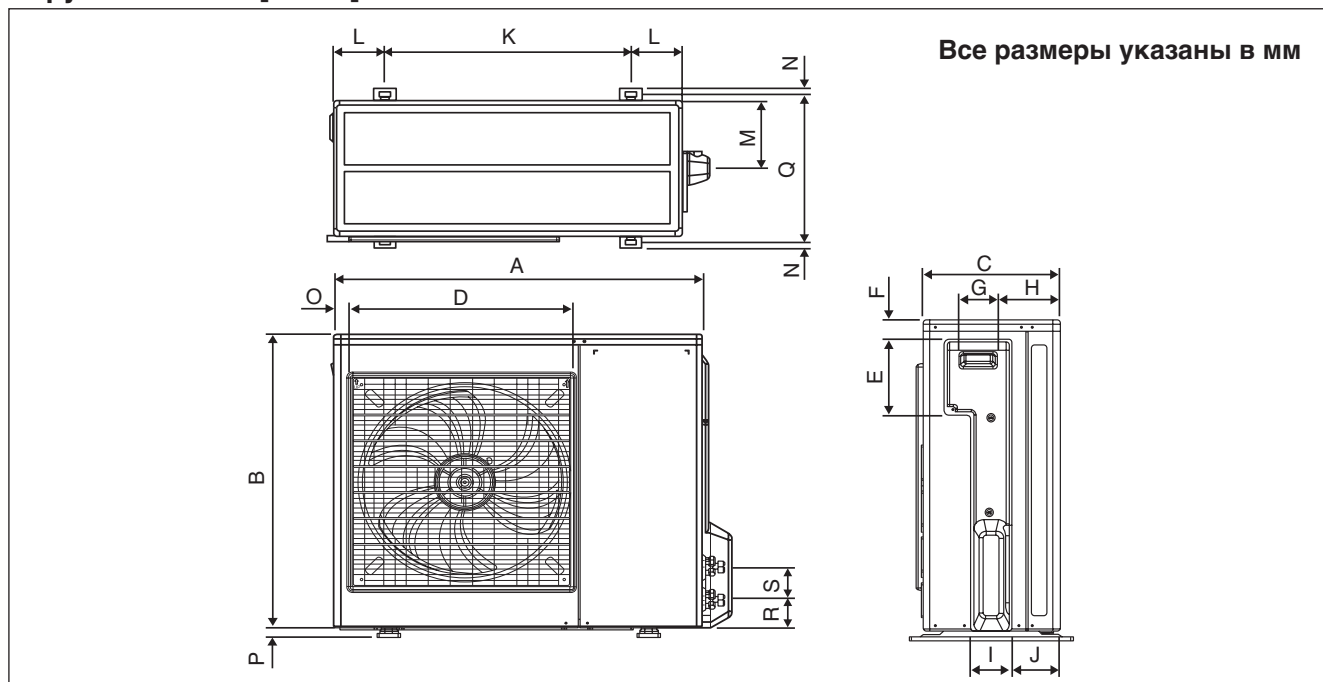
### Наружного блок [ARYN]



Модель \ Размер	A	B	C	D	E	F	G	H	I	J	K	L	M	N
20C	600	475	245	418	177	35	93	81	83	55	398	101	97	17
25/35C	700	521	250	485	175	36	95	93	86	68	441	130	111	15

Модель \ Размер	O	P	Q	R	S	T
20C	22	3	19	65	80	30
25/35C	18	3	19	65	80	30

### Наружного блок [ARYN]



Модель \ Размер	A	B	C	D	E	F	G	H	I	J	K	L
50C	855	628	328	520	179	46	93	149	101	113	603	126
60C	855	730	328	520	179	46	93	149	101	113	603	126

Модель \ Размер	M	N	O	P	Q	R	S
50C	164	15	34	23	362	73	75
60C	164	15	34	23	362	73	75

# РУКОВОДСТВО ПО УСТАНОВКЕ

Это руководство рассматривает процедуру установки с целью обеспечения безопасности и соответствующих стандартов для функционирования блока кондиционера.

Специальная регулировка по месту установки может быть необходима.

Перед использованием Вашего кондиционера, пожалуйста, внимательно данное руководство по эксплуатации и сохраните его для обращения за справками в будущем.

Этот аппарат предусмотрен для использования опытным и обученным персоналом в магазинах, в легкой промышленности и сельском хозяйстве, или для коммерческого применения непрофессионалами.

Данное устройство не предназначено к эксплуатации лицами (включая детей) с ограниченными физическими, сенсорными или умственными возможностями, а равно и теми, у кого нет соответствующего опыта и знаний. Такие лица допускаются к эксплуатации устройства только под наблюдением или руководством лица, несущего ответственность за их безопасность.

За детьми необходим присмотр во избежание игр с устройством.




## МЕРЫ ПРЕДОСТОРОЖНОСТИ

### ВНИМАНИЕ

- Установка и техническое обслуживание должны проводиться квалифицированным персоналом, знающим местный код и положения и имеющим опыт работы с данным видом устройств.
- Весь монтаж проводов должен проводиться в соответствии с национальными правилами электромонтажа.
- Перед началом электромонтажа удостоверьтесь, что напряжение блока соответствует указанному на табличке, согласно электрической схеме.
- Блок должен быть **ЗАЗЕМЛЕН** для предотвращения возможной опасности в результате неправильной установки.
- Вся электропроводка не должна соприкасаться с водопроводными трубами или другими движущимися частями вентиляторных электродвигателей.
- Удостоверьтесь, что блок **ВЫКЛЮЧЕН** перед установкой или обслуживанием.
- Риск поражения электрическим током может послужить причиной повреждений или смерти. Отсоедините все главные блоки электропитания перед обслуживанием.
- НЕ выдергивайте шнур при включенном питании. При этом можно получить серьезные удары током и вызвать угрозу пожара.
- Держите комнатный и наружный блоки, силовой кабель и проводку передачи как минимум за 1 м от телевизоров и радио для предотвращения искаженного изображения и помех. (В зависимости от типа и источника электрических волн, помехи могут быть услышаны даже при установке более чем на 1 м).

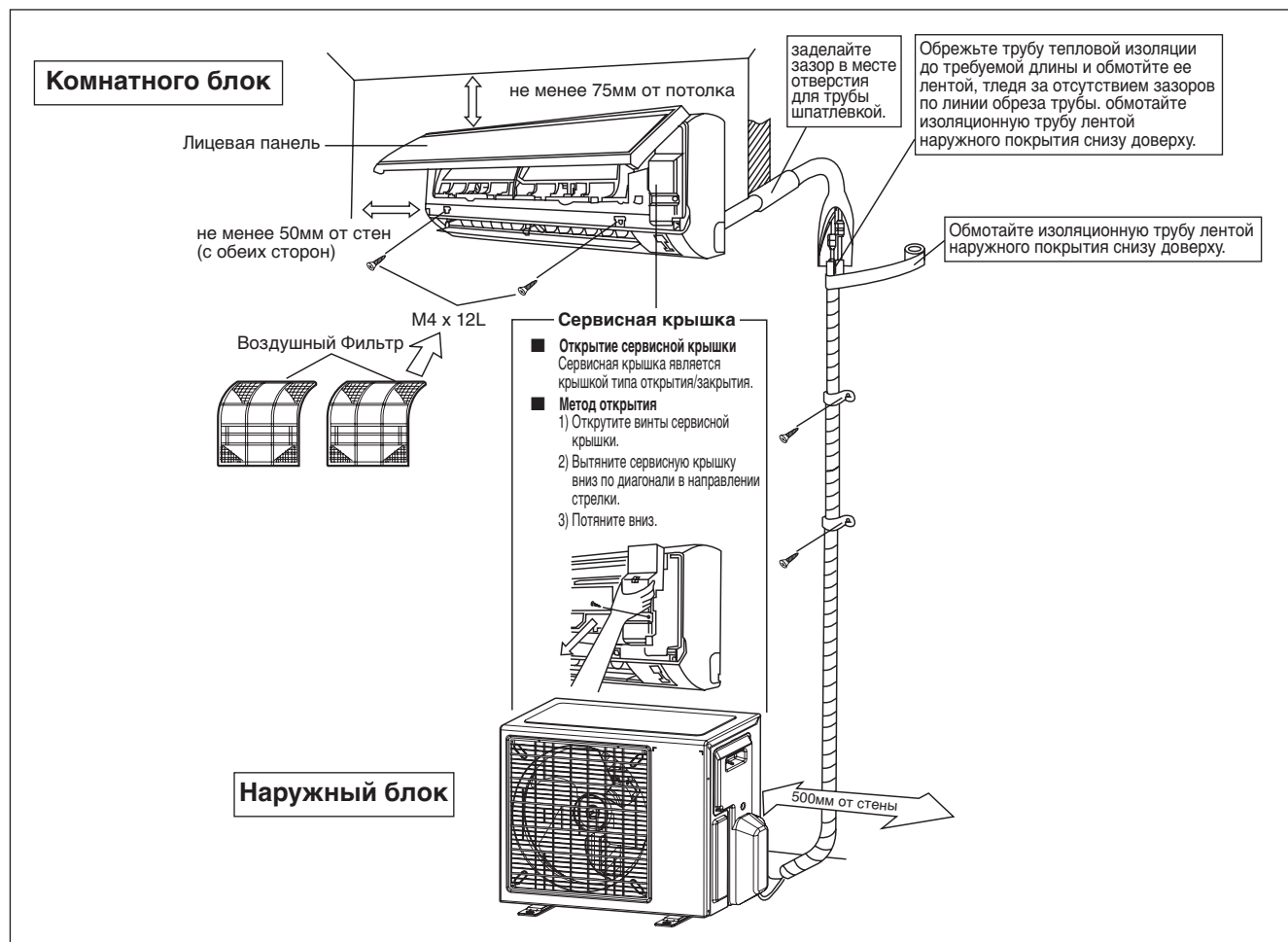
### ОСТОРОЖНО

Пожалуйста, обратите внимание на нижеследующие важные моменты при установке.

- **Не устанавливайте блок в месте, где может произойти утечка взрывоопасного газа.**
  -  Если имеется утечка газа и его сбор рядом с блоком, то он может стать причиной возгорания.
- **Удостоверьтесь, что сливные трубы соединены надлежащим образом.**
  -  Если сливные трубы не соединены надлежащим образом, это может стать причиной течи, которая намочит мебель.
- **Не подвергайте перегрузке блок.**
  -  Данный блок установлен на определенную нагрузку на заводе-изготовителе. Перегрузка вызовет перегрузку тока или повредит компрессор.
- **Удостоверьтесь, что панель блока закрыта после технического обслуживания или установки.**
  -  Неплотно закрепленные панели вызовут шум при работе блока.
- **Острые края и поверхности змеевиков являются потенциальными местами нанесения травм. Остерегайтесь контакта с этими местами.**
- **Перед тем, как включать питание, переведите выключатель удаленного контроллера в положение "OFF" (ВЫКЛ.)** во избежание случайного срабатывания устройства. Если этого не сделать, при включении питания вентиляторы автоматически начнут вращаться и обслуживающий персонал или пользователь подвергнется опасности.
- **Не устанавливайте блоки в дверном проеме или в непосредственной близости с ним.**
- **Не допускайте работы каких-либо обогревательных приборов в непосредственной близости с блоком кондиционера воздуха и не используйте в помещении, в котором имеется минеральное масло, пары нефти или масла, так как это может привести к расплавлению или деформации пластиковых деталей в результате чрезмерного тепла или химической реакции.**
- **При использовании блока на кухне не допускайте попадания муки во всасывающее устройство блока.**
- **Данный блок не подходит для промышленного использования, характеризующегося наличием тумана смазочно-охлаждающей жидкости, железного порошка или больших колебаний электрического напряжения.**
- **Не устанавливайте блоки в таких местах, как горячий источник или нефтеперегонный завод, характеризующиеся наличием газа сульфида.**
- **Убедитесь, что цвет проводов наружного блока и маркировка терминалов совпадает с соответствующими элементами комнатного блока.**
- **ВАЖНО: НЕ УСТАНАВЛИВАЙТЕ ИЛИ НЕ ИСПОЛЬЗУЙТЕ КОНДИЦИОНЕР В МОЕЧНОЙ.**
- **Для входящего электропитания не следует использовать соединенные и скрученные многожильные провода.**
- **Оборудование не предназначено для использования в потенциально взрывоопасной среде.**



## РИСУНОК УСТАНОВКИ



Русский

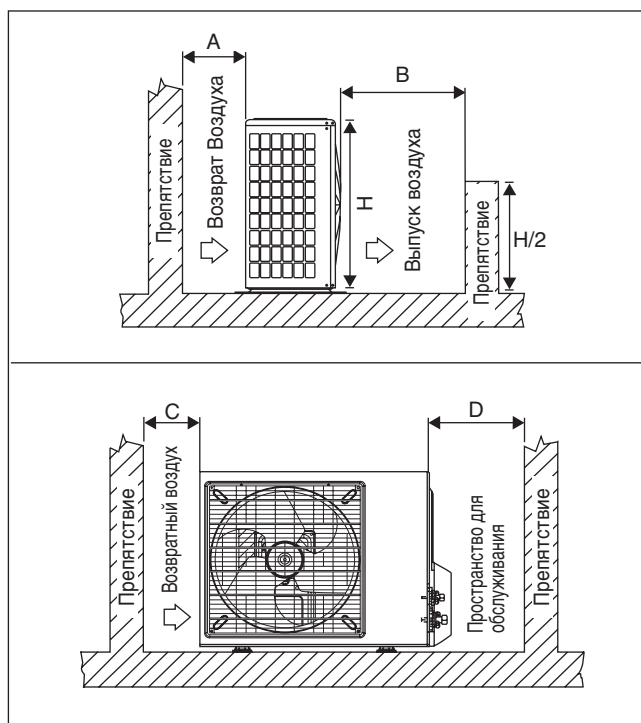
## УСТАНОВКА НАРУЖНОГО БЛОКА

Наружный блок должен быть установлен таким образом, чтобы предотвратить замыкание горячего выпускаемого воздуха или образование препятствия для воздушного потока. Пожалуйста, соблюдайте установочные габариты, показанные на рисунке. Выберите самое прохладное место, где температура воздуха на впуске не превышает наружную температуру воздуха (см. рабочий диапазон).

### Установочные габариты

Размер	A	B	C	D
Мин. Расстояние (мм)	300	1000	300	500

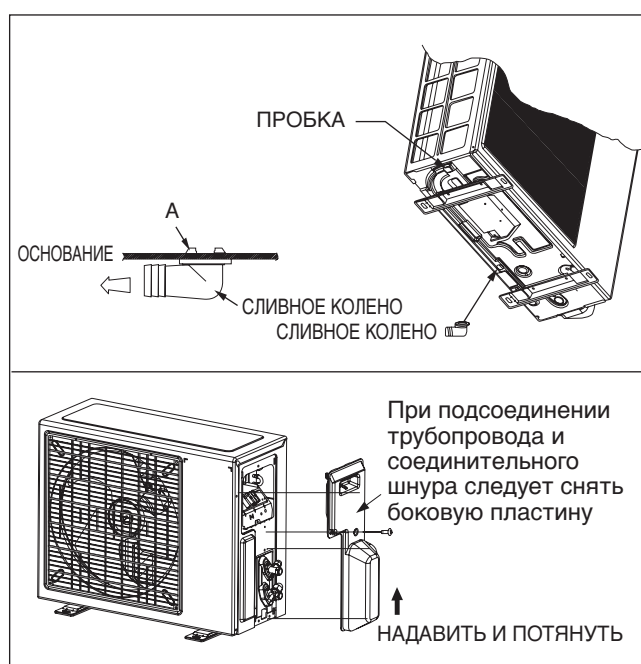
**Примечание:** Если есть какие-либо препятствия высотой более половины, высоты аппарата (H), пожалуйста, позвольте больше места, чем указано в таблице выше.



### Удаление конденсированной воды из наружного блока

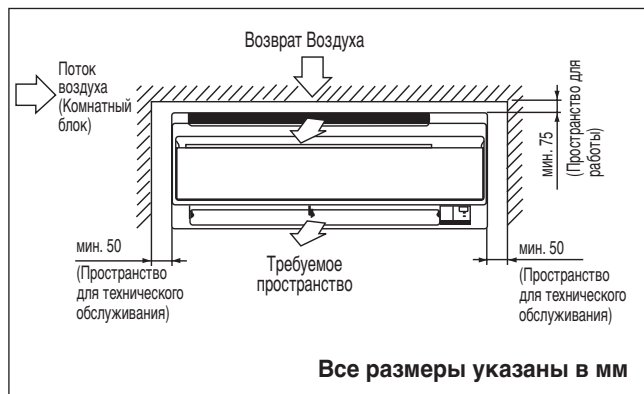
#### (Только блоки с тепловым насосом)

- В основании наружного блока для удаления конденсированной воды имеются 2 отверстия. Вставьте сливное колено в одно из отверстий.
- Для установки сливного колена вставьте сначала одну часть крюка в основание (часть A), затем во время установки другой части в основание расположите сливное колено в соответствии с направлением, указанным стрелкой. После установки убедитесь, что сливное колено плотно прилегает к основанию.
- Если блок устанавливается в снежной и холодной местности, конденсированная вода может замерзнуть в основании. В этом случае снимите пробку, расположенную на днище блока, чтобы обеспечить беспрепятственный сток.



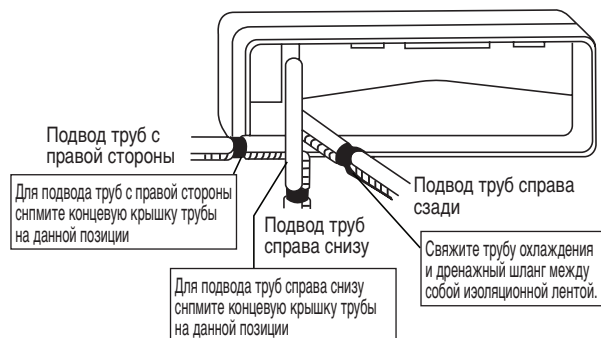
## УСТАНОВКА КОМНАТНОГО БЛОКА

Внутренний блок должен быть установлен таким образом, чтобы предотвратить замыкание холодного выпускаемого воздуха и горячего рециркуляционного воздуха. Пожалуйста, соблюдайте установочные габариты, показанные на рисунке. Не размещайте внутренний блок в месте возможного воздействия на него прямого солнечного света. Кроме того, месторасположение должно быть пригодным для прокладки трубопровода и дренажной системы, а также должно находиться в удалении от дверей и окон.

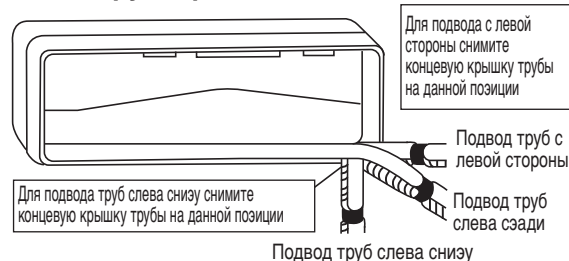


Прокладку трубопровода хладагента к блоку можно выполнить несколькими способами (с левой или с правой стороны на задней части блока), используя вырезанные отверстия на корпусе блока (см. рисунок). Осторожно согните трубы для придания им необходимого положения и выравнивания с отверстиями. Для провода сбоку и внизу подведите трубы и расположите их в необходимом направлении (смотрите рисунок). Сливной шланг для удаления конденсации можно прикрепить к трубам с помощью ленты.

### Правый боковой, правый задний или правый нижний трубопровод



### Левый боковой, левый задний или левый нижний трубопровод



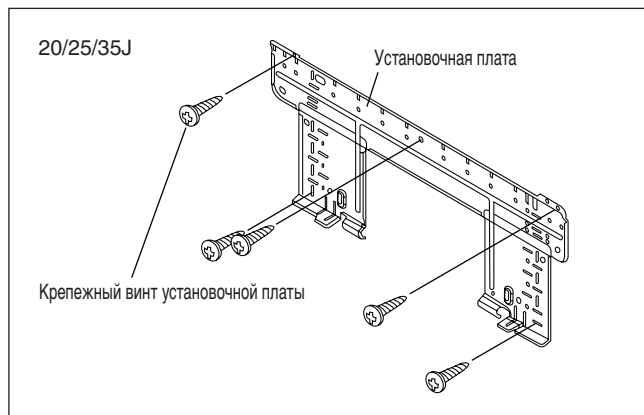
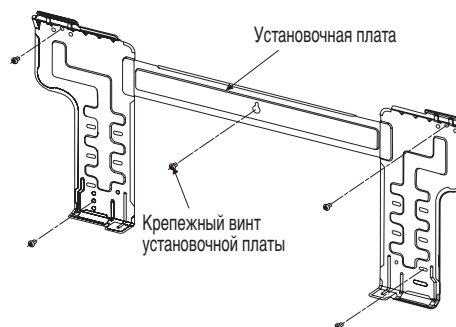
### Сборка монтажной пластины

Убедитесь, что стена достаточно крепкая, чтобы выдержать вес блока. В противном случае необходимо укрепить стену пластинами, балками или стойками.

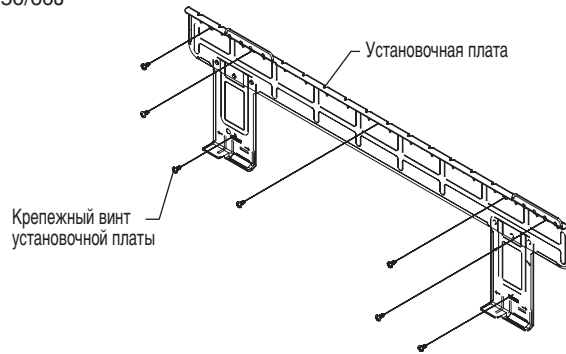
Для выравнивания по горизонтали используйте уровень и закрепите модель 20/25/35J подходящими винтами, а модель 50/60J винтами.

Если задний трубопровод слишком длинный, чуть ниже на внешней стене просверлите шарошечной дрелью отверстие диаметром 65мм (см. рисунок).

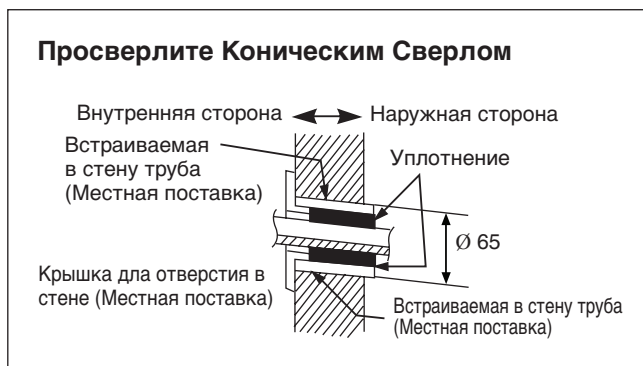
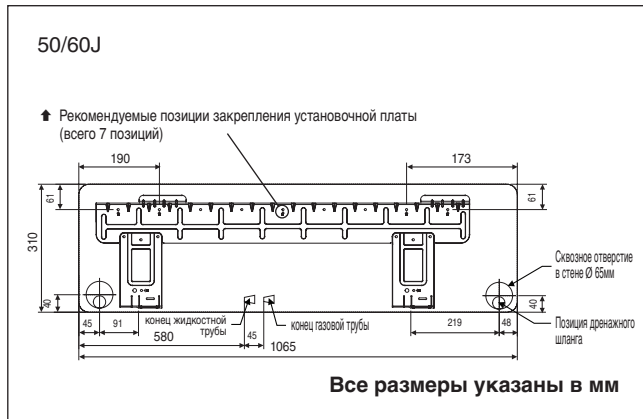
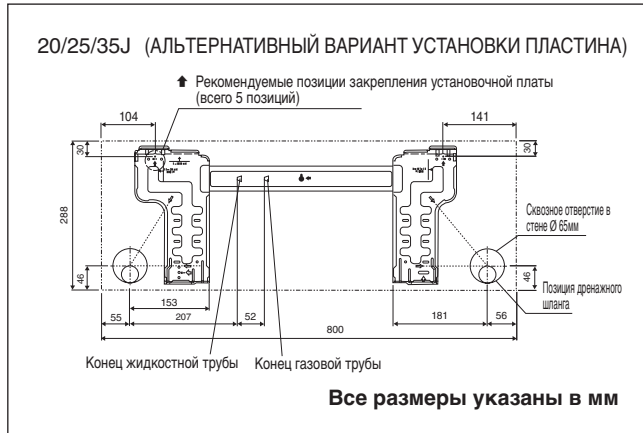
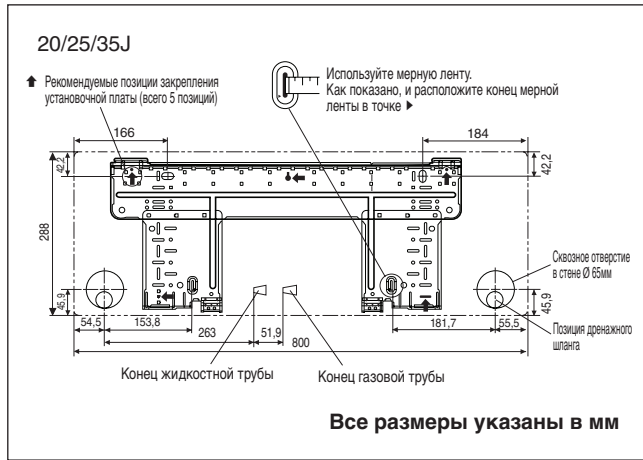
### 20/25/35J (Альтернативный вариант установки пластина)



### 50/60J



## Рекомендуемая Разметка Крепления Установочной Пластины И Размеры



## Установка блока на монтажной пластине

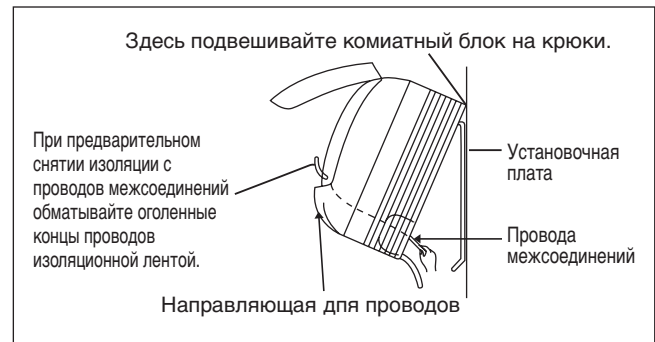
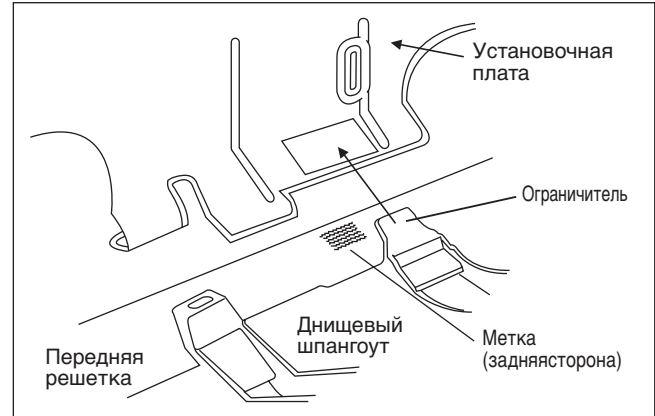
Зацепите внутренний блок за верхнюю часть монтажной пластины (Зацепите два крюка, расположенные на задней верхней части внутреннего блока, за верхний край монтажной пластины). Убедитесь, что крюки надежно зафиксированы на монтажной пластине, перемещая ее влево и вправо.

## Правила установки комнатного блока

Прицепите кулачковые захваты нижней рамы к установочной плате.

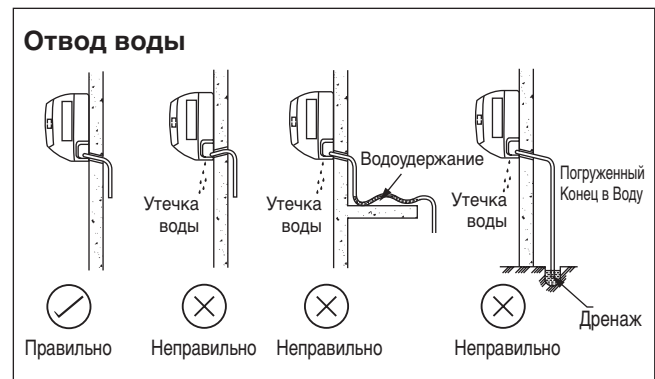
## Правила снятия комнатного блока

Надавите на отмеченную область (в нижней части передней решетки) для расцепления кулачков.



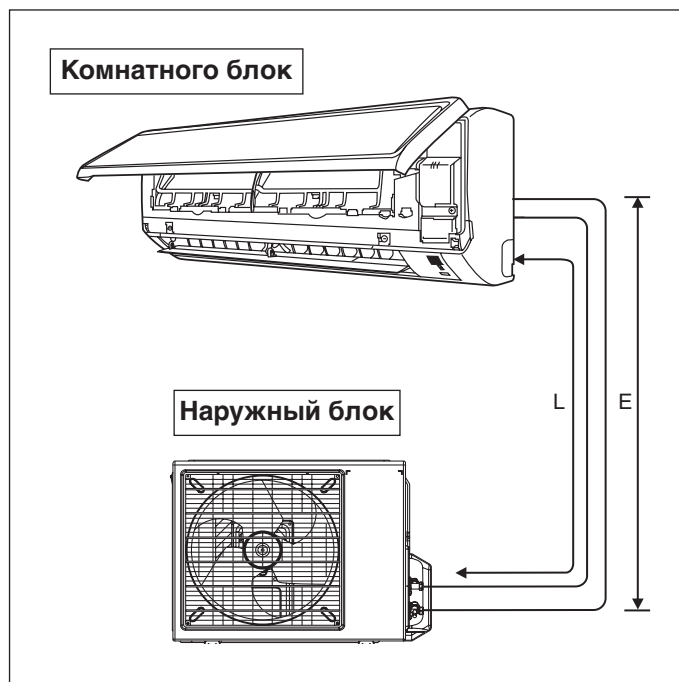
## Трубопровод отвода воды

Дренажная труба внутреннего блока должна быть установлена с уклоном вниз для обеспечения беспрепятственного отвода воды. Необходимо избегать ситуации, которые могут вызвать утечку воды.



## ПРОВЕДЕНИЕ ТРУБОПРОВОДОВ ХЛАДАГЕНТА

Если трубопровод слишком длинный, это скажется на производительности и надежности системы. При возрастании количества колен увеличивается сопротивление хладагенту, что уменьшает охлаждающую способность. В результате может выйти со строя компрессор. Следует всегда выбирать самые короткие варианты прокладки и соблюдать представленные ниже рекомендации:





### Модель с тепловым насосом

Модель	Комнатный (ATYN)	20J	25J	35J	50J	60J
	Наружный (ARYN)	20C	25C	35C	50C	60C
Мин. допустимая длина (L), м	3					
Макс. допустимая длина (L), м		12	12	12	20	20
Максимальная допустимое поднятие (E), м		5	5	5	15	15
Размер Трубы Для Газа, мм/(дюймах)		9,52 (3/8")	9,52 (3/8")	12,70 (1/2")	12,70 (1/2")	15,88 (5/8")
Размер Трубы Для Жидкости, мм/(дюймах)		6,35 (1/4")	6,35 (1/4")	6,35 (1/4")	6,35 (1/4")	6,35 (1/4")

\* Проконтролируйте добавление требуемого количества до полного заполнения хладагентом. Невыполнение данного требования чревато ухудшением качества функционирования.

**Примечание:** Количество предварительно заправленного хладагента в наружном блоке предназначено для трубопровода длиной не более 7,5м.

## Эквивалентная длина для различных фитингов (метр)

Размер Трубы	L совместной	Ловушке изгиб
		
3/8" (OD9,52мм)	0,18	1,3
1/2" (OD12,7мм)	0,20	1,5
5/8" (OD15,9мм)	0,25	2
3/4" (OD19,1мм)	0,35	2,4
7/8" (OD22,2мм)	0,40	3
1" (OD25,4мм)	0,45	3,4
1 1/8" (OD28,6мм)	0,50	3,7
1 3/8" (OD34,9мм)	0,60	4,4

Примечания:

1. Эквивалентная длина трубопроводов получается с фактической длины газопровода
2. 90° изгиб трубы эквивалентно L сустава.

Изгибы следует выполнять осторожно, чтобы не сломать трубу. Для сгибания по возможности используйте трубогибочное оборудование.

### Проведение Трубопроводов И Соединение Муфтой (Развальцовочной Гайкой)

- Не используйте грязную или поврежденную трубную обвязку. Если какой-либо трубопровод, испаритель или конденсатор оказались под воздействием или были открыты в течение 15 секунд или более, следует произвести вакуумирование системы. В общем, не снимайте пластиковое покрытие, резиновые пробки и латунные гайки с клапанов, штуцеров, труб и змеевиков до тех пор, пока он не готов для соединения подачи газа или жидкости в клапана или штуцеры.
- Если требуется пайка, то удостоверьтесь, что газ азот проходит через змеевик и соединения, где проводится пайка. Это позволит избежать формирования копоти на внутренней стороне медных труб.
- Режьте трубы постепенно, медленно подавая полотно ножа. Чрезмерное усилие и глубокий разрез вызовут деформацию трубы и появление нежелательных выгибов. Смотрите Рисунок I.
- Уберите заусенцы с краев среза трубы съёмником. Смотрите Рисунок II. Держите трубу в верхнем положении, а приспособление для снятия заусенцев в нижнем положении для предотвращения попадания металлической стружки в трубу. Это позволит избежать неровности на поверхности, которая приведет к утечке газа.
- Вставьте штуцерные гайки, установленные на соединяющие концы как внутреннего модуля, так и внешнего модуля, на медные трубы.
- Точная длина трубы, выступающей из лицевой поверхности матрицы, определена развальцовочным инструментом. Смотрите Рисунок III.
- Надежно установите трубу в развальцовочной матрице. Отцентрируйте отверстия в матрице и развальцовочном пробойнике, а затем полностью затяните развальцовочный пробойник.

### Соединение Трубопроводов К блокам

- Отцентрируйте положение трубы и до конца затяните штуцерную гайку усилием пальцев. Смотрите Рисунок IV.
- Затем, затяните штуцер динамометрическим гаечным ключом до щелчка ключа.
- При затягивании муфты динамометрическим гаечным ключом, удостоверьтесь, что затягивание происходит в указанном стрелкой направлении.
- Соединение трубы хладагента изолировано закрытой полиуретановой ячейкой.

Размер Трубы (мм/дюйм)	Крутящий Момент Нм/(ft-lb)
6,35 (1/4")	18 (13,3)
9,52 (3/8")	42 (31,0)
12,70 (1/2")	55 (40,6)
15,88 (5/8")	65 (48,0)
19,05 (3/4")	78 (57,6)

Рисунок I

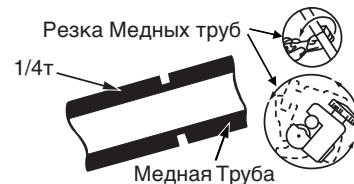


Рисунок II

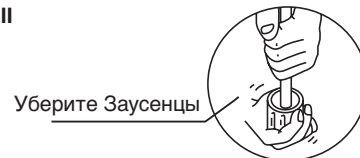
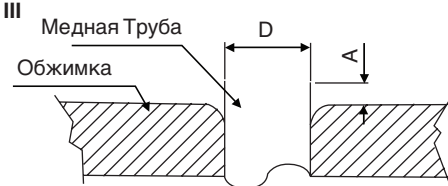
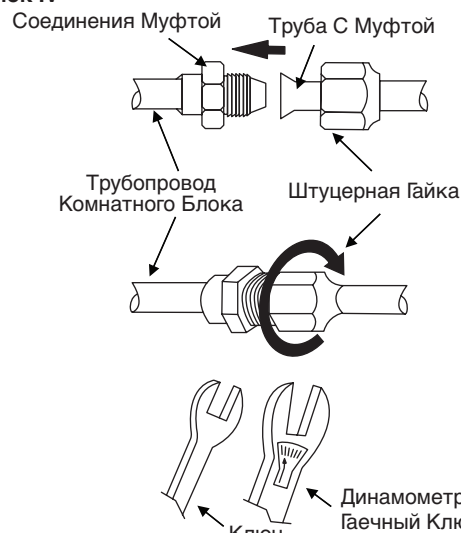


Рисунок III



Ø Трубы, D		A (мм)	
Дюйм	мм	Империял (Барашковая гайка)	Риджид (Муфтовый тип)
1/4"	6,35	1,3	0,7
3/8"	9,52	1,6	1,0
1/2"	12,70	1,9	1,3
5/8"	15,88	2,2	1,7
3/4"	19,05	2,5	2,0

Рисунок IV

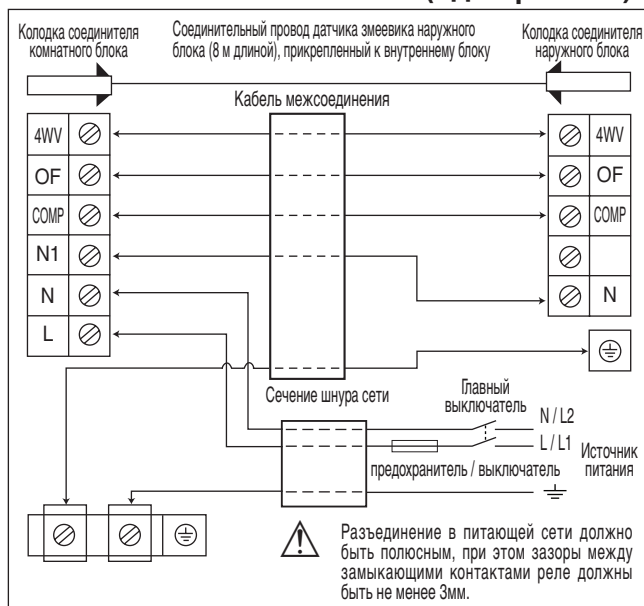


## ЭЛЕКТРИЧЕСКАЯ СХЕМА СОЕДИНЕНИЙ

**ВАЖНО:** \* Эти цифры приведены в таблице только в информационных целях. Их следует проверять и выбирать в соответствии с местными и национальными правилами и нормативами. Они также зависят от типа установки и используемых проводников.

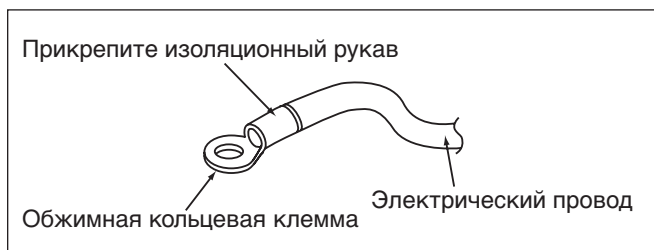
\*\* Соответствующий диапазон напряжений следует сверять с данными, указанными на табличке, прикрепленной к корпусу аппарата.

### Блоки с тепловым насосом (однофазный)



Модель	Комнатный (ATYN)	20J	25J	35J	50J	60J
	Наружный (ARYN)	20C	25C	35C	50C	60C
Диапазон напряжения**	220-240V/~50Гц ±					
Сечение шнура сети*	мм <sup>2</sup>	1,5		2,5		
Количество Проводов		3		3		
Сечение Проводов Межсоединения*	мм <sup>2</sup>	1,5		2,5		
Количество Проводов		5		5		
Рекомендуемый предохранитель / выключатель рейтинг	A	15		20		

- Все провода должны быть хорошо соединены.
- Все электропроводка должна не приходиться в соприкосновение с хладагентом насоса или лопастей двигателя.
- Соединительные провода между комнатным и наружным блоками должны быть закреплены на зажимах для проводов.
- Шнур сети питания должен отвечать параметрам шнура H07RN-F, который представляет собой минимальные предъявляемые требования.
- Убедитесь, что соединительные зажимы и провода не подвергаются излишней нагрузке.
- Убедитесь, что все крышки плотно закрыты.
- Используйте обжимную кольцевую клемму для подсоединения проводов к терминалу электропитания. Подсоедините провода в соответствии с указаниями на терминале. (Смотри монтажную схему на блоке).



- Для окончательного затягивания винтов используйте надлежащие отвертки. Применение ненадлежащих отверток может повредить головку винта.
- Чрезмерная затяжка может повредить винт.
- Не подключайте провода различных устройств к одному терминалу.
- Правильно подключайте провода. Проводка не должна преграждать доступ к другим частям устройства и к крышке распределительной коробки.



## СПЕЦИАЛЬНЫЕ МЕРЫ ПРЕДОСТОРОЖНОСТИ ПРИ ЭКСПЛУАТАЦИИ КОНДИЦИОНЕРА С ХЛАДАГЕНТОМ R410A

R410A - это новый гидрофторуглеродный хладагент, не повреждающий озоновый слой. Рабочее давление этого нового хладагента в 1,6 раз больше, чем рабочее давление обычного хладагента (R22), поэтому очень важно соблюдать правильный порядок установки и обслуживания кондиционера.

- В кондиционерах, рассчитанных на использование R410A, запрещается применять какие-либо другие хладагенты.
- Масло POE или PVE, используемое в качестве смазочного материала для компрессора с хладагентом R410A, отличается от минерального масла, используемого для компрессора с хладагентом R22. Во время выполнения установки или сервисного обслуживания необходимо принять дополнительные меры предосторожности, чтобы не допускать воздействия влажного воздуха на систему R410A. Оставшееся в трубопроводе и деталях масло POE или PVE и компоненты могут поглощать влагу из воздуха.
- Во избежание неправильной заправки диаметр сервисного патрубка на раструбном вентиле отличается от диаметра соответствующего патрубка для R22.

- Используйте исключительно инструменты и материалы, предназначенные для хладагента R410A. Инструменты специально для R410A: распределительная гребенка, заправочный шланг, манометр, детектор утечки газа, развальцовочные инструменты, ключ с регулируемым крутящим моментом, вакуумный насос и баллон для хладагента.
- Так как в кондиционере на R410A используется более высокое давление, чем в установках на R22, важно правильно выбрать медные трубы.
- В случае утечки газообразного хладагента во время выполнения работ по установке или обслуживанию необходимо хорошо проветрить помещение. При соприкосновении газообразного хладагента с огнем возможно образование ядовитого газа.
- При установке или демонтаже кондиционера следите за тем, чтобы в контуре хладагента не осталось воздуха или влаги.

## ОТКАЧКА ВОЗДУХА И ЗАПРАВКА

Откачка воздуха необходима для ликвидации влаги и воздуха из системы.

### Вакуумирование трубопровода и внутреннего блока

За исключением внешнего модуля, который предварительно заправлен хладагентом, внутренний модуль и соединительные трубы хладагента должны быть продуты, поскольку воздух, содержащий остающуюся в системе хладагента влагу, может вызвать сбой в работе компрессора.

- Снимите колпачки с клапана и входа технического обслуживания.
- Соедините центр нагнетательной коробки к вакуумному насосу.
- Соедините нагнетательную коробку к 3-ходовому клапану входа технического обслуживания.
- Включите вакуумный насос. Проводите откачку в течение примерно 30 минут. Время откачки зависит от мощности вакуумного насоса. Удостоверьтесь, что стрелка манометра нагнетательной коробки установилась на -760мм ртутного столба.

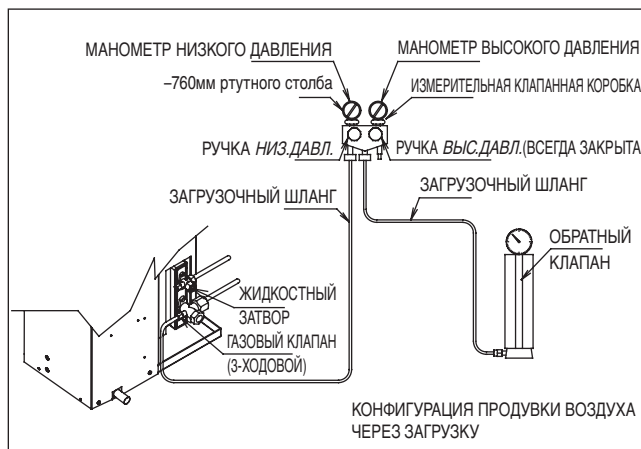
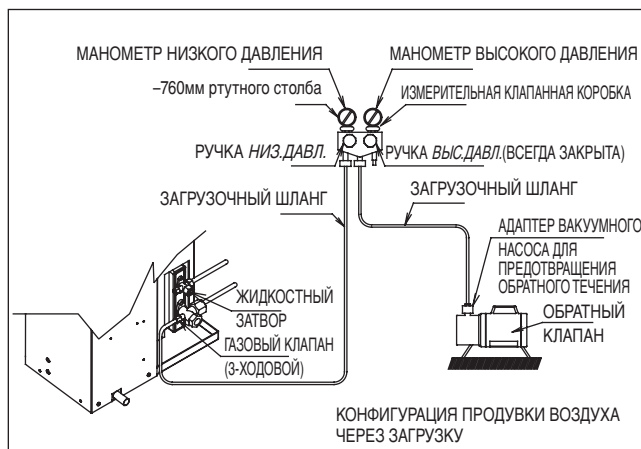
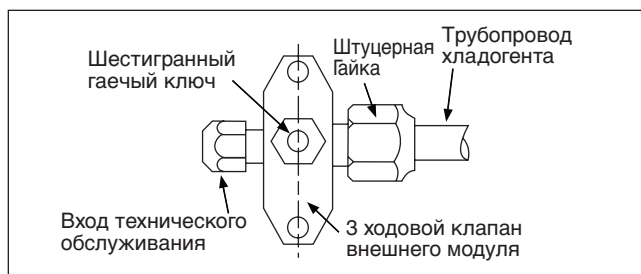
### Осторожно

- Если стрелка указателя не перемещается в -760мм ртутного столба, убедитесь в отсутствии утечек на Тип Раструб от внутреннего и наружного блоков и устранить утечку, прежде чем приступить к следующему шагу.
- Закройте клапан нагнетательной коробки и выключите вакуумный насос.
- На внешнем модуле, откройте клапан впуска (3-ходовой) и клапан жидкости (2-ходовой) (против часовой стрелки) при помощи ключа размером 4 мм для шестигранного винта.

### Операция заправки

Операция должна проводиться при помощи газового цилиндра и обязательно точным дозатором. во внешний модуль проводится с помощью клапана впуска через вход технического обслуживания.

- Снимите колпачок входа технического обслуживания.
- Подсоедините сторону низкого давления манометра заправки к всасывающему сервисному патрубку баллона и закройте сторону высокого давления манометра заправки. Прочистите от воздуха вспомогательный шланг.
- Включите модуль кондиционера.
- Откройте газовый цилиндр и заправочный клапан низкого давления.
- Когда требуемое количество хладагента заправлено в модуль, то закройте сторону низкого давления и клапан газового цилиндра.
- Отсоедините сервисный шланг от сервисного патрубка. Установите колпачок входа технического обслуживания обратно на его место.





## ДОПОЛНИТЕЛЬНАЯ ЗАПРАВКА

Хладагент заправлен заводом-изготовителем на внешнем модуле. Если длина трубопроводов меньше, чем 7,5м, то в дозаправке после откачки воздуха нет необходимости. Если длина трубопровода превышает 7,5м, используйте значение дозаправки, указанное в таблице.

### **Дозаправка хладагента [гр] на дополнительный 1м длины в соответствии с данными таблицы (Для моделей R410A)**

#### **МОДЕЛЬ С ТЕПЛОМЫМ НАСОСОМ**

Модель	Комнатный (ATYN)	20J	25J	35J	50J	60J
	Наружный (ARYN)	20C	25C	35C	50C	60C
Дополнительная заправка [г/м]		20	16	16	19	16

#### **Например:**

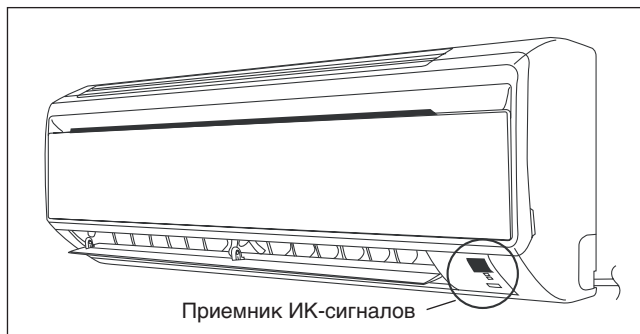
Для модели ATYN35J & ARYN35C с длиной трубопровода 12м, дополнительная длина трубопровода составляет 4,5м. Таким образом,  
 Дополнительная Заправка = 4,5[м] x 9[г/м]  
 = 40,5[г]

## ПОКАЗАНИЯ ИНДИКАТОРОВ

### **Приемник ИК-сигналов**

После передачи инфракрасного сигнала дистанционного управления произойдет срабатывание приемника сигналов на комнатном блоке, как показано ниже, для подтверждения получения передачи сигнала.

<b>ВКЛ. на ВЫКЛ.</b>	1 долгий звуковой сигнал
<b>ВЫКЛ. на ВКЛ. Откачка/Воздействие Охлаждением</b>	2 коротких звуковых сигнала
<b>Дополнительная информация</b>	1 коротких звуковых сигнала

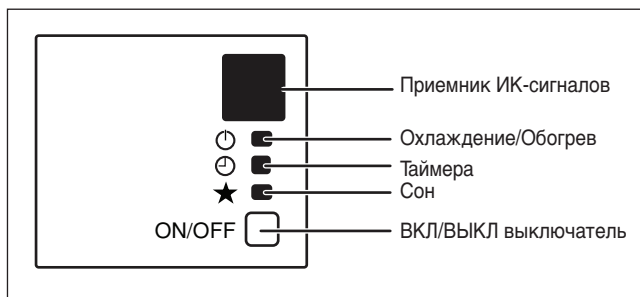


### **Показания Индикаторов СИД Модуля Охлаждения/Обогревательный Насос ATYN 20/25/35/50/60J**

#### **Модуль охлаждения/Обогревательный Насос**

В таблице представлена работа светодиодных индикаторов при нормальном функционировании кондиционера и при возникновении неисправностей. Светодиодные лампочки расположены на днище блока кондиционера справа.

Модуль обогревательного насоса оборудован датчиком режима "авто" для обеспечения оптимальной температуры в комнате автоматическим переключением либо в режим "холодно", либо в "обогрев", исходя из установленной температуры пользователем.



## СИД индикаторы: Нормальные Условия Функционирования и Сбой Модуля Охлаждения/Обогревательный Насос

	 ОХЛАДЬТЕ / ЖАРА (ЗЕЛЕНЫЙ/КРАСНЫЙ)		<b>Нормальная работа / Индикация неисправностей</b>	<b>Действия</b>	<b>Код ошибки</b>
○/●	○ Зеленого		Режим охлаждения	-	-
○/●	○ Красный		Режим Обогрев	-	-
○/●	○ Красный		Режим Авто в процессе Нагрева	-	-
○/●	○ Зеленого		Режим Авто в процессе Охлаждения	-	-
	○	○	Включен таймер	-	-
○	○		Режим сна включен	-	-
	○		Включен режим вентилирования	-	-
	○		Включен режим осушения	-	-
	● 1 времена		Контакт датчика воздуха в помещении Неплотный / Замкнут	Обратитесь к своему дилеру	Мигает E1
	● 3 раза		Датчик наружного змеевика открыт	Обратитесь к своему дилеру	Мигает E3
●	● 2 раза		Датчик внутреннего змеевика открыт	Обратитесь к своему дилеру	Мигает E2
		● 1 времена	Перегрузка компрессора/ Короткое замыкание/ датчика внутреннего змеевика	Обратитесь к своему дилеру	Мигает E4
	● Красный		Процесс размораживания	-	-
		● 3 раза	Утечка газа	Обратитесь к своему дилеру	Мигает E5
		● 6 раза	Аппаратная ошибка (тактыый переключатель вывод замкнут)	Обратитесь к своему дилеру	Мигает E8
●	● 4 раза		Нет обратной связи от комнатного вентилятора	Обратитесь к своему дилеру	Мигает E9

○ ВКЛ

○/● ВКЛ или ВЫКЛ

● Мигание

## РАБОТА КОНДИЦИОНЕРА

### Режим Осушения

- При высокой влажности воздуха кондиционер может работать в режиме осушения. Нажмите кнопку <РЕЖИМ> и выберите режим <ОСУШЕНИЕ>.
- Если температура в помещении на 2°C/3,6°F выше заданной температуры, перед тем как перейти в режим осушения кондиционер будет работать в режиме охлаждения до тех пор, пока не достигнет 2°C/3,6°F диапазона перепада в сравнении с заданной температурой.
- Если температура в помещении находится в рамках 2°C/3,6°F диапазона перепада температур по сравнению с заданной температурой, кондиционер будет сразу работать в режиме осушения.
- В режиме осушения кондиционер будет работать на НИЗКОЙ скорости.

### Обогрев (только для теплового насоса)

- Когда кондиционер включается из холодного запуска или из цикла размораживания, внутренний вентилятор начнет работу только после того, как змеевик достигнет необходимой температуры.
- По достижении заданной температуры вентилятор внутреннего блока будет работать до тех пор, пока змеевик не перестанет производить дополнительное тепло.

### Управление Потокom Воздуха

- Для увеличения эффективности циркуляции воздуха положение решетки выпуска воздуха можно отрегулировать влево или вправо вручную.
- Во время работы в режиме охлаждения или осушения не следует надолго направлять жалюзи выпуска воздуха вниз. Если во время работы кондиционера жалюзи будут находиться в таком положении длительное время, на них может образоваться конденсат, что приведет к капанию воды.

### Защита От Перегрева (только для теплового насоса)

- Слишком высокая внутренняя и/или внешняя температура, загрязненность или засорение фильтра могут привести к перегреву хладагента. При достижении температурой конденсации 62°C/143,6°F компрессор выключится.

### Предотвращение Замерзания

- При загрязнении воздушного фильтра температура испарения будет уменьшаться, что приведет со временем к замерзанию.
- Если температура испарения достигает -1°C/33,8°F, модуль автоматически отключится.

### Скорость вентилятора и номинальная степень охлаждения

- Номинальная степень охлаждения обеспечивается при скорости вентилятора HIGH.
- Номинальная степень охлаждения ниже при режиме модуля, работающего при скорости вентилятора СРЕД и НИЗК.

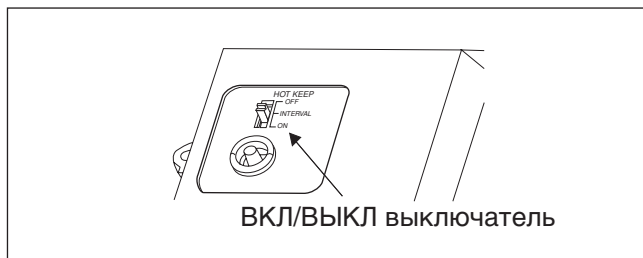
### Примечания по углам поворота створок и жалюзи

- При пользовании кнопкой "ПОВОРОТ" диапазон углов поворота створок зависит от режима работы. (См. рисунок)

### ВНИМАНИЕ

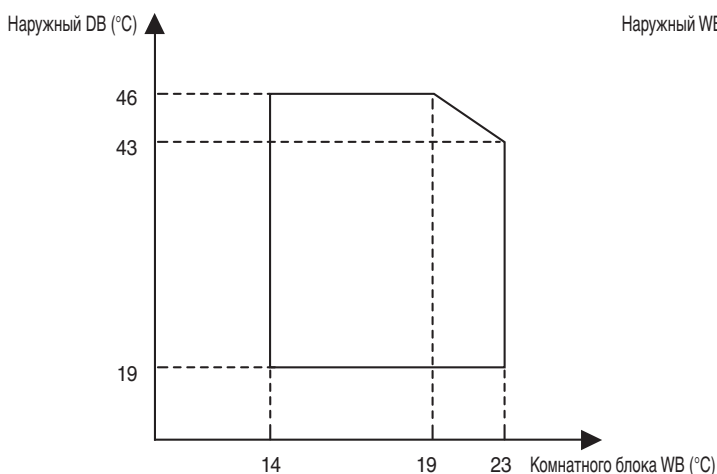
- Для регулировки угла поворота створок всегда пользуйтесь дистанционный блок управления. Если вы попытаетесь с усилием вручную перемещать створки во время их поворачивания, то возможна поломка механизма.
- При регулировке раскрытия жалюзи соблюдайте осторожность. Внутри воздуховыпускного узла вентилятор вращается с высокой скоростью.

ПРИМЕЧАНИЕ: Если выбрана эта опция, для активации этой функции потребуется выключить и снова включить энергопитание.

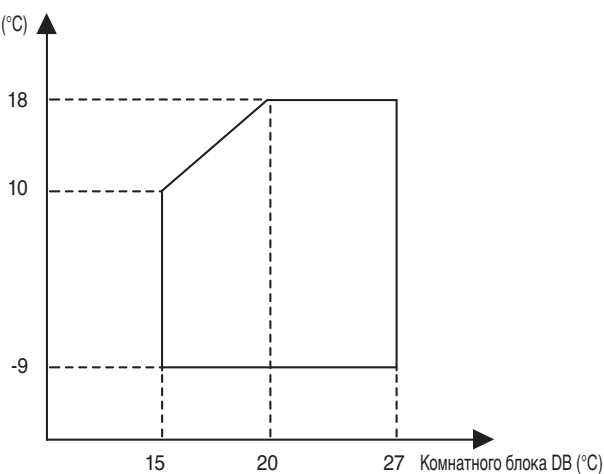


## РАБОЧИЙ ДИАПАЗОН

### ОХЛАЖДЕНИЕ



### ОЪОГРЕВ

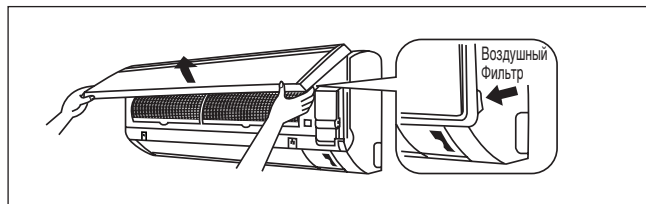


DB: по сухому термометру  
WB: по влажному термометру

## ВОЗДУШНЫЙ ФИЛЬТР

### 1. Откройте лицевую панель.

- Возьмитесь за панель в местах углублений на основном блоке (2 углубления с правой и левой стороны) и поднимите ее до упора.



### 2. Вытяните наружу воздушные фильтры.

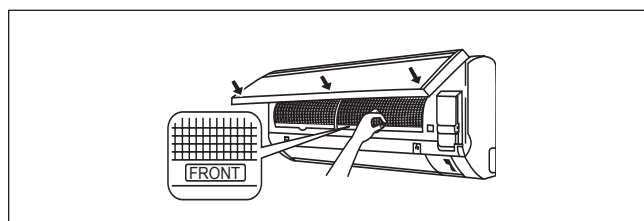
- Переместите немного вверх петлю в центре каждого воздушного фильтра и затем потяните его вниз.

### 3. Очистите или замените каждый из фильтров.

- При удалении оставшейся воды, не скручивайте фильтр.

### 4. Установите воздушный фильтр и закройте переднюю панель.

- Зацепите захватные кулачки фильтров за пазы лицевой панели. Медленно закройте лицевую панель и толчком зафиксируйте ее в трех точках. (по одной с каждой боковой стороны и посередине.)
- Воздушный фильтр имеет симметричную форму в горизонтальном направлении.



## СЕРВИС И ТЕХНИЧЕСКОЕ ОБСЛУЖИВАНИЕ

Узлы Обслуживания	Процедуры Технического Обслуживания	Время
Комнатного воздушный фильтр	<ol style="list-style-type: none"> <li>Очистите от пыли фильтр пылесосом или вымойте его в теплой воде (ниже 40°C/104°F) нейтральным моющим средством.</li> <li>Хорошо прополощите и высушите фильтр перед установкой его обратно в блок.</li> <li>Не используйте бензиновые, легкоиспаряющиеся вещества или химические средства для очистки фильтра.</li> </ol>	Не реже 1 раза каждые 2 недели. При необходимости чаще.
Комнатного блок	<ol style="list-style-type: none"> <li>Очистите от грязи или пыли решетку или панель, вытирая при помощи мягкой ткани смоченной в теплой воде (ниже 40°C/104°F) нейтральным моющим средством.</li> <li>Не используйте бензиновые, легкоиспаряющиеся вещества или химические средства для очистки комнатного блока.</li> </ol>	Не реже 1 раза каждые 2 недели. При необходимости чаще.

### ⚠ ОСТОРОЖНО

- Не допускайте контакта средств, применяемых для очистки змеевика, с пластмассовыми деталями. Они вступают в реакцию с пластмассой, а это может стать причиной деформации детали.

### 1. Откройте лицевую панель.

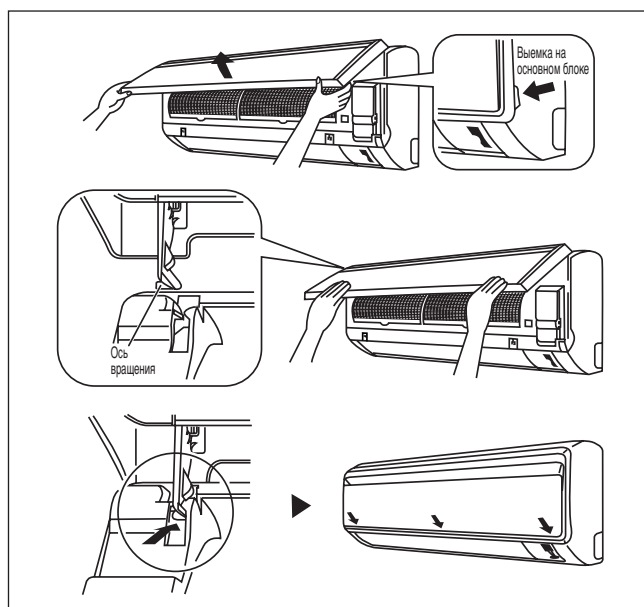
- Возьмитесь за панель в местах углублений на основном блоке (2 углубления с правой и левой стороны) и поднимите ее до упора.

### 2. Снимите лицевую панель.

- Поднимая лицевую панель, сдвиньте ее вправо и потяните к передней стороне. Левая ось вращения отсоединится. Сдвиньте правую ось вращения влево и потяните ее к передней стороне для снятия.

### 3. Прикрепите лицевую панель.

- Выворачивайте правую и левую оси вращения лицевой панели с пазами и протолкните их.
- Осторожно закройте лицевую панель. (Нажмите на лицевую панель с обоих концов и по центру.)



## ⚠ ОСТОРОЖНО

- Не прикасайтесь к металлическим частям внутреннего блока. Это может привести к телесным повреждениям.
- При снятии или к реплении лицевой панели надежно придерживайте панель рукой для предотвращения ее падения.
- Для очистки пользуйтесь водой с температурой не выше 40°C, бензин, керосин, разжижитель, другие летучие масла, полировочные составы, щетки с жесткой щетиной или какие-либо другие подручные средства.
- После очистки убедитесь в плотном закрытии лицевой панели.

### Длительный перерыв в использовании кондиционера

<p>Включите кондиционер и оставьте его работать в течение 2 часов со следующими настройками.</p> <p>Режим работы : охлаждение Температура : 30°C/86°F</p>		<p>Извлеките штепсель шнура питания из сетевой розетки. При использовании для кондиционера независимой электрической цепи выключите цепь. Извлеките батарейки из пульта дистанционного управления.</p>	
---	---	--	---

### МЕРЫ ПО УСТРАНЕНИЮ

**С любыми вопросами по поводу запасных частей обращайтесь, пожалуйста, к уполномоченному дилеру. При обнаружении сбоев в работе модуля кондиционера, немедленно выключите питание сети модуля. Проверьте нижеследующие признаки неисправностей, причины и советы простейших мер по устранению.**

Неисправность	Причины/действия
1. Компрессор не функционирует по прошествии 3 минут после включения модуля кондиционера.	– Защита от частого включения. Подождите от 3 до 4 минут, чтобы компрессор включился.
2. Кондиционер не работает.	<ul style="list-style-type: none"> <li>– Отсутствие сетевого питания или требуется замена предохранителя.</li> <li>– Вилка не вставлена.</li> <li>– Существует вероятность того, что таймер задержки установлен неправильно.</li> <li>– Если неисправность не удается устранить после проведения всех проверок, обратитесь к Вашему установщику кондиционера.</li> </ul>
3. Очень незначительный поток воздуха.	<ul style="list-style-type: none"> <li>– Воздушный фильтр загрязнен.</li> <li>– Открыты двери или окна.</li> <li>– Забился впуск и выпуск воздуха.</li> <li>– Установленная температура недостаточно высока.</li> </ul>
4. При выпуске воздуха имеется неприятный запах.	– Неприятный запах может быть вызван сигаретами, частицами дыма, парфюмерии и т.п., которые могли осесть на змеевике.
5. Конденсат на передней решетке комнатного блока.	<ul style="list-style-type: none"> <li>– Это вызвано влагой в воздухе после продолжительного времени функционирования.</li> <li>– Установленная температура слишком низка, увеличьте установленную температуру и установите скорость вентилятора на высокую.</li> </ul>
6. Вода выливается из кондиционера.	– Выключите кондиционер и обратитесь к дилеру.

**Если неисправность неустранима, пожалуйста, обращайтесь к Вашему местному дилеру / специалисту.**

## ПАМ'ЯТКА



- In the event that there is any conflict in the interpretation of this manual and any translation of the same in any language, the English version of this manual shall prevail.
- The manufacturer reserves the right to revise any of the specification and design contain herein at any time without prior notification.
- В случае противоречия перевода данного руководства с другими переводами одного и того же текста, английский вариант рассматривается как приоритетный.
- Завод-изготовитель оставляет за собой право изменять характеристики и конструкцию в любое время без предварительного уведомления.

---

**DAIKIN EUROPE N.V.**

Zandvoordestraat 300, B-8400 Oostende, Belgium

**DAIKIN MCQUAY MIDDLE EAST FZE**

P.O.Box 18674, Galleries 4, 11th Floor,  
Downtown Jebel Ali, Dubai, UAE.

Importer for Turkey

**DAIKIN ISITMA VE SOGUTMA SISTEMLERI SAN.TIC. A.S.**

Allianz Plaza-Kucukbakkalkoy Mah.Kayisdagi Cad.No:1 34750  
Atasehir-ISTANBUL / TURKIYE

**DAIKIN INDUSTRIES, LTD.**

Head office:

Umeda Center Bldg., 2-4-12, Nakazaki-Nishi,  
Kita-ku, Osaka, 530-8323 Japan

Tokyo office:

JR Shinagawa East Bldg., 2-18-1, Konan,  
Minato-ku, Tokyo, 108-0075 Japan

<http://www.daikin.com/global/>